

# IoT-based Architecture and Implementation for Automatic Shock Treatment

Namhwa Lee<sup>1</sup>, Minsu Jeong<sup>1</sup>, Youngjae Kim<sup>1</sup>, Jisoo Shin<sup>1</sup>, Inwhae Joe<sup>1\*</sup>, Sanghoon Jeon<sup>2</sup>  
and Byuk Sung Ko<sup>2\*</sup>

<sup>1</sup> Department of Computer Science, Hanyang University,  
Seoul, Republic of Korea  
[e-mail: iwjoe@hanyang.ac.kr]

<sup>2</sup> Department of Emergency Medicine, College of Medicine, Hanyang University,  
Seoul, Republic of Korea  
[e-mail: postwinston@hanyang.ac.kr]

\*Corresponding author: Inwhae Joe, Byuk Sung Ko

*Received August 24, 2021; revised December 25, 2021; accepted June 27, 2022;  
published July 31, 2022*

---

## Abstract

The Internet of Things (IoT) is being used in a wide variety of fields due to the recent 4th industrial revolution. In particular, research is being conducted that combines IoT with the medical field such as telemedicine. Among them, the field of shock detection is a big issue in the medical field because the causes of shock are diverse, treatments are very complex, and require a high level of medical knowledge and experience. The transmission of infectious diseases is common when treating critically ill patients, especially patients with shock. Thus, to effectively care for shock patients, we propose an architecture that continuously monitors the patient's condition, and automatically recommends a drug injection treatment according to the patient's shock condition. The patient's hemodynamic information is continuously monitored, and the patient's shock generation information is recorded periodically. With the recorded patient information, the patient's condition is determined and automatically injected with necessary medication. The medical team can find out whether the patient's condition has improved by checking the recorded information through web applications. The study can help relieve the shortage of medical personnel and help prevent transmission of infectious disease in medical staff. We look forward to playing a role in helping medical staff by making recommendations for the diagnosis and treatment of complex and difficult shocks.

---

**Keywords:** Internet of Things, Telemedicine, Software architecture, Automatic shock treatment.

## 1. Introduction

We live in a generation where rapid changes are taking place. Internet of Things (IoT) is being used and researched in various fields such as smart factories and autonomous vehicles. Among them, research is being conducted in fields such as CPS (Cyber-Physical Systems), which combine IoT and medical services, and telemedicine [1-4]. Among them, Telemedicine is a technology that makes it possible to receive medical services without the barrier of distance by using telecommunications and information technology to provide clinical health care from a distance [5]. Telemedicine is mainly used in environments where it is difficult to continuously receive medical services. Telemedicine can be used in a variety of medical fields, e.g., Parkinson's disease, [6], surgery using robots, digital monitoring devices, and physical therapy through application combinations [7,8].

The process of diagnosing a patient's shock in a hospital is very complex. In order to treat the patient's shock, the cause of the patient's shock must be identified. Healthcare providers should set and follow target indicators such as blood pressure, pulse rate, urine output, base deficiency, and consciousness. The goal of the treatment of patients in shock is to maintain adequate perfusion to provide an oxygen equivalent to the tissue's oxygen demand. This requires a lot of medical staff and time because it has the characteristic of continuously monitoring the patient's condition.

The monitoring system is very important in solving the problem of lack of medical resources in developing countries or remote areas that lack experience in treating critically ill patients. It is necessary to monitor medical data values to determine the cause of shock and provide appropriate treatment. In addition, the patient's shock state changes every moment, and there is a possibility of drug change or re-diagnosis, so continuous monitoring is necessary. The hemodynamic monitoring equipment supports the medical professionals to cope with various diseases by outputting the aforementioned medical data values in real time, and it is possible to check the occurrence of shock and the type of shock in real time [9]. As such, hemodynamic monitoring can solve the problem of shortage of medical staff and provide rapid treatment of shock patients. In addition, in the process of treating a patient, contact between the patient and the medical staff frequently occurs. Recently, the spread of COVID-19 (COVID-19) and super bacteria is often caused by contact with patients by medical staff. If the hemodynamic monitoring and automatic shock treatment system are applied to the hospital, the previous problem can be solved by minimizing the contact between the patient and the medical staff.

In this paper, the treatment algorithm according to the change in the value of the medical data variable that can be checked through the hemodynamic monitoring system is applied to the IoT, and based on this, the overall architecture is conceived to automatically manage the treatment method according to the change of the patient's condition through the infusion pump. First, a treatment algorithm suitable for each patient's situation is developed, and each situation is judged through the hemodynamic monitoring system and an appropriate command is transmitted to the infusion pump. The software has been developed so that the received command can be properly executed by the infusion pump, and any changes of infusion pump rate is shared with the medical staff using IoT. software architecture continuously monitors hemodynamics and repeats the above process until the patient stabilizes. We envision that our architecture can help patients with shock and solve the shortage of medical staff even in environments where continuous medical care is difficult.

The remainder of this paper is organized as follows. In Section 2, related research and brief explanations are provided. Section 3 describes the architecture and software algorithm for the proposed model. Section 4 describes how to implement the proposed algorithm. Finally,

Section 5 is the conclusion.

## 2. Related Work

### 2.1 Shock Treatment

Shock is a condition in which blood flow is insufficient in body tissues due to circulatory problems [10]. Shock can occur in various ways. The treatment of shock is important at what levels of abnormalities the patient shows [11]. Shock can be classified using hemodynamic information. For example, if blood pressure decreases in hemodynamic information, cardiac output per minute is normal, but the systemic vascular index decreases, a vasopressor is administered. Conversely, when blood pressure decreases, the cardiac output per minute and systemic vascular index are normal, but the intravascular volume decreases, the rate of fluid administration increases. Hemodynamics monitoring watches the patient's various parameters including blood pressure, pulse rate, cardiac output, vascular resistance and intravascular volume. Hemodynamics monitoring helps identify the patient's shock status [9]. Equipment for hemodynamic monitoring has been developed in a variety of ways. Monitoring equipment includes equipment such as the Medis' BioZ [12] and the Philips' SureSigns VM6 [13]. Above all, since shock is a disease that is directly related to life, time is very important in shock treatment. The importance of constant monitoring and detection of abnormal conditions is much higher than that of other diseases, because the patient's emergency can be overcome only when appropriate treatment is given at the right time. Various studies are currently underway to quickly detect such a shock situation. Two studies [14, 15] predicted hemodynamic shock by analyzing and learning image data. Even today, there are various methods for various shocks. However, there is a trade-off between accuracy and processing speed, and these factors often lead to poor accuracy or unclear results. On the other hand, the method presented in this paper recognizes and uses bio-signals directly input from the monitoring device, so the accuracy is high and the process is simpler than other studies. Therefore, it is possible to detect shock as soon as possible and give prompt and accurate notification to the medical staff.

### 2.2 Internet of Things (IoT)

IoT refers to the junction of exchanging data by connecting various objects such as smart light bulbs, smart locks, IP cameras, and alarm clocks to the Internet [16]. IoT function is currently being used in many fields. There is also a paper making a system for storing big data in cloud computing using the IoT system [17]. In addition, Lenovo has also developed an IoT system that helps healthcare by using exercise data by inserting a chip into a smart shoe [18].

Integrating image processing, computer vision, and networking frameworks [19] will help develop new and challenging scientific research areas at the intersection of video, infrared, microphone and network technologies. and according to [20-22], already proposed many IoT services such as smart parking, precision agriculture, and water usage management. In addition, extensive research has been conducted into the use of IoT system such as traffic congestion minimization [23], structure health monitoring [24], crash-avoiding cars [25], and smart grids [26].

IoT techniques have been applied to various medical fields. As IoT is applied to the medical field, treatment can be received in places other than hospitals. In several studies, IoT healthcare systems have been developed for specific purposes, such as rehabilitation and diabetes management. In [27], a system that creates a recurrence plan tailored to individuals based on symptoms was developed, and to perform this, the patient's condition was compared with the

data of the previous patient's symptoms. This system is inconvenient for a doctor to manually enter symptoms and approve recommended treatment. [28] describes a system for monitoring patients suffering from Parkinson's disease. The study says that wearable sensors for observing gait patterns, tremors, and general activity levels can be used in conjunction with vision-based technology (i.e., cameras) around the house to monitor the progression of Parkinson's disease. In [29], a system for monitoring blood sugar levels in diabetic patients was proposed. This system is cumbersome, requiring the patient to manually measure blood sugar levels at set intervals. This system takes into account two types of blood sugar abnormalities: an abnormal blood sugar level and a missing blood sugar level. The system analyzes the severity of the anomaly and decides who to notify. The system can notify caregivers, family members, or emergency care providers such as doctors. Although this system is feasible, there is an inconvenience of having to periodically check the blood sugar level by the patient. [30] has developed a system for detecting heart attacks. This system was built using an antenna. The ECG sensor detects cardiac activity that is processed by a microcontroller. This information is displayed on the user's smartphone via Bluetooth. However, this development is a system that only detects heart attacks and cannot treat them. These developments only serve as an assistant to medical staff, and they cannot sufficiently perform shock treatment or transmission prevention by medical staff in place of medical staff. We devised the architecture in this paper to improve these points.

### 2.3 Optical Character Recognition (OCR)

Patient monitoring equipment cannot directly import data because it uses equipment that has already been developed. Therefore, we used a method of taking a screen display on the monitoring equipment and extracting patient information from the monitoring equipment using optical character recognition (OCR). Computer vision refers to a method of collecting, processing, analyzing, and understanding digital images and extracting high-dimensional data from the real world. Image processing can be implemented in a variety of ways, but the most widely used method is the one using AI [31]. OCR refers to a method of recognizing text from an image and converting it into digital data. OCR can be used for cognitive computing, machine translation, text-to-speech, and text mining by electronically editing and storing text and displaying it online. OCR is also a field of pattern recognition and artificial intelligence research. OCR is used in various fields. Representatively, it is Traffic Sign Recognition (TSR) [32]. TSR is a technology that allows vehicles to recognize traffic signs placed on the road, such as speed limits or children or moving forward.

We use hemodynamic monitoring equipment to monitor the patient's condition in real time. When the screen of the device is photographed with a camera and transmitted to a computer, OCR is performed based on the photographed picture. It collects the printed information. Based on the collected information, an IoT system was conceived to perform shock treatments necessary for patients.

## 3. Proposed Architecture

The architecture of the proposed model can be seen in **Fig. 1** which can be largely divided into three areas: image recognition, decision of shock treatment, and control of infusion pump. The patient's condition is checked through hemodynamic monitoring. The identified information is transferred over the network to the server and stored in the database. Based on the stored information, the server diagnoses the necessary drugs according to the patient's

condition. The determined information is passed to the infusion pump, and the infusion pump injects drugs into the patient. Details are described below for each part.

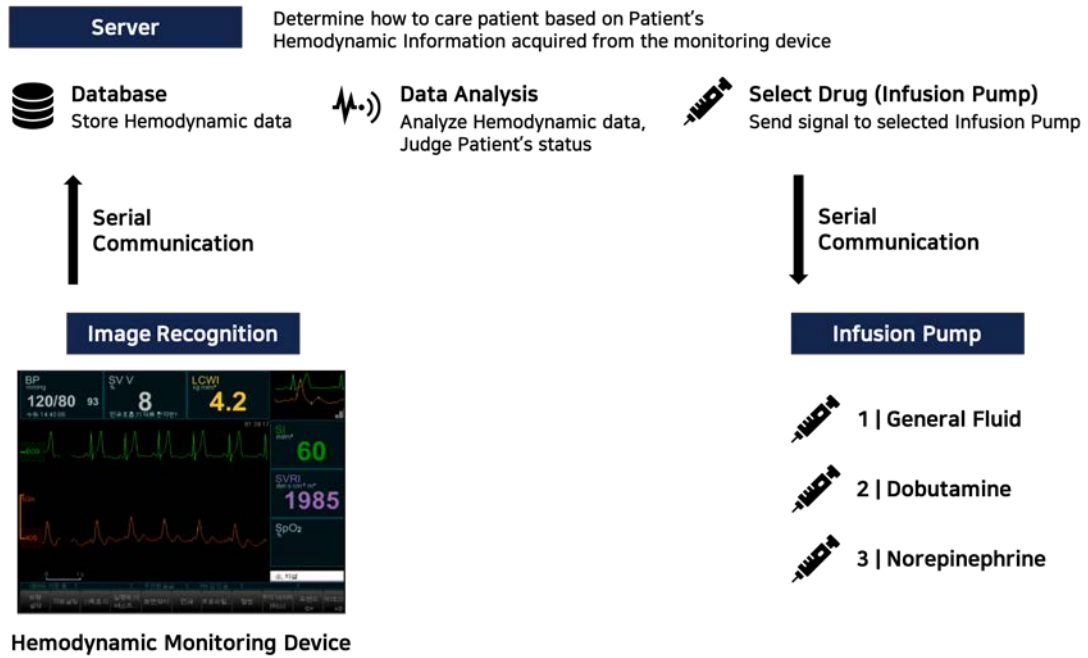


Fig. 1. System architecture of the proposed work

### 3.1 OCR for hemodynamic Values

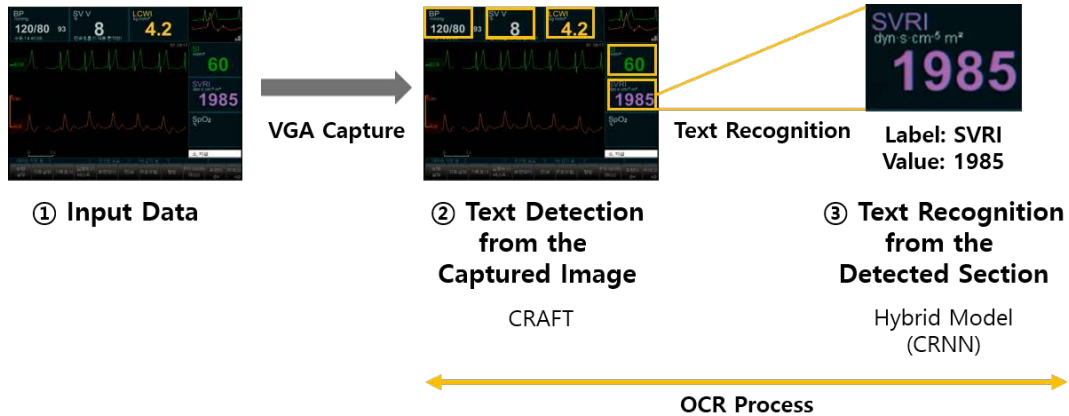


Fig. 2. OCR Process for Hemodynamic Values Detection

In this section, we describe recognition of the hemodynamic values using Optical Character Recognition (OCR). Fig. 2. describes the process of character detection and content recognition using OCR. First, the chart page of the device is input in the form of an image from the hemodynamic monitoring device through the VGA capture device. The input image is converted to text through OCR, and EasyOCR was used for this process [33]. EasyOCR is an OCR algorithm based on Deep Learning. First, NAVER-Clova AI's Character Region Awareness for Text (CRAFT) detection model was used in the text detection part. Similar to

the Generative Adversarial Network (GAN), CRAFT is a model that learns the shape of a character image by using real and created images [34]. For text detection, a total of about 10,000 datasets such as ICDAR2013, ICDAR2015, ICDAR2017, MSRA-TD500, TotalText, and CTW-1500 were used. After text detection, a hybrid convolutional recurrent neural network (CRNN) model, in which a convolution layer and a recurrent layer are combined, was used to recognize the contents of the detected text box. CRNN is a hybrid deep learning model consisting of a convolutional layer for feature extraction and learning from text in an image form, and a recurrent layer for labeling sequential text [35]. An end-to-end trainable neural network for image-based sequence recognition and its application to scene text recognition. Datasets such as IC03, IC13, IIT5k, and SVT were used, and images of about 5,000 words were used as the data. Through the above EasyOCR Process, the screen of the actual monitoring device is received as an image, and the coordinates where the text is located on the image, the contents of the text, and the probability can be known. The first study uses EasyOCR for character recognition of high-resolution images restored with super resolution[36]. Second, the mail contents were detected using EasyOCR to detect spam[37]. Finally, the third study used EasyOCR for vehicle license plate recognition. Through the above EasyOCR Process, the screen of the actual monitoring device is received as an image, and the coordinates where the text is located on the image, the contents of the text, and the probability can be known.

### 3.2 Decision of Shock Treatment

In this part, based on the monitoring data, it is determined which drugs to inject according to the patient's condition. The hemodynamic monitoring device collects parameters: HR, BP, MAP, SpO<sub>2</sub>, Resp, TFC, TFCI, SVV, SV, SI, CO, CI, EF, EDV, EDI, SI, CI, ACI, LCWI, LCW, LSWI, SVRI., SVR, SSVRI, PP, SVRI. The parameters for diagnosing shock are shown in [Table 1](#).

**Table 1.** Cardioscreen Series Parameters

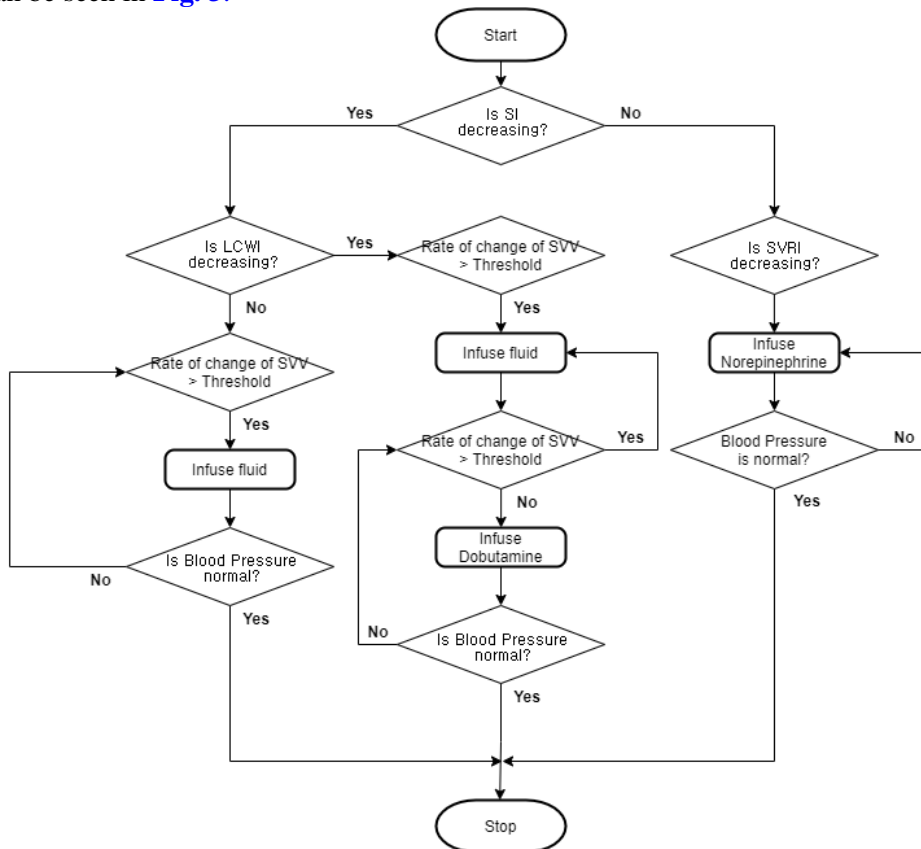
Abbreviation	Parameter Name	Explain
HR	Heart Rate	The number of beats performed by the heart in one minute
BP	Blood Pressure	-
SpO <sub>2</sub>	Oxygen Saturation	Needed to calculate arterial oxygen saturation
TFC	Thoracic Fluid Content	The inverse of the thoracic base impedance
TFCI	Thoracic Fluid Content Index	Chest fluid content in consideration of Body Surface Area (BSA)
SVV	Stroke Volume Variation	The change in the amount of blood ejected from the left ventricle into the aorta with each heartbeat
SV	Stroke Volume	The volume of blood delivered by the heart into the vasculature in one beat
SI	Stroke Index	One-time cardiac output considering body surface area
CO	Cardiac Output	The total volume of blood pumped by the heart in one minute
CI	Cardiac Index	The value of Cardiac Output (CO) indexed by the body surface area
ACI	Acceleration Index	peak Acceleration of aortic blood flow
LCWI	Left Cardiac Work Index	A value of Left Cardiac Work indexed by the body surface area
LCW	Left Cardiac Work	The measure of work which the left ventricle must expend to pump blood
LSWI	Left Stroke Work Index	The measure of work which the left ventricle must expend to pump blood per heartbeat

MAP	Mean Arterial Pressure	A measure of the average arterial perfusion pressure, which determines blood flow to the tissues
SVRI	Systemic Vascular Resistance Index	The primary component of afterload
SVR	Systemic Vascular Resistance	The vascular resistance of the systemic vasculature as seen by the left ventricle (afterload)
SSVRI	Stroke Systemic Vascular Resistance Index	A measure of afterload

In order to diagnose shock, hemodynamic information stored in the database is first retrieved and the server diagnoses the shock in the following order:

- Step 1: By analyzing the hemodynamic information, only the information necessary for the occurrence of shock is extracted.
- Step 2: Using the extracted information, it is determined whether the hemodynamic information is in the normal range.
- Step 3: Determine which of three drugs the patient needs according to the identified content.
- Step 4: The determined command is transmitted to the microcontroller connected to the infusion pump through the wireless Internet.

For the shock detection SI, ACI, SVRI, and SVV parameters are needed. There are three types of drugs: general fluid, dobutamine, and norepinephrine. The algorithm for injecting drugs can be seen in [Fig. 3](#).

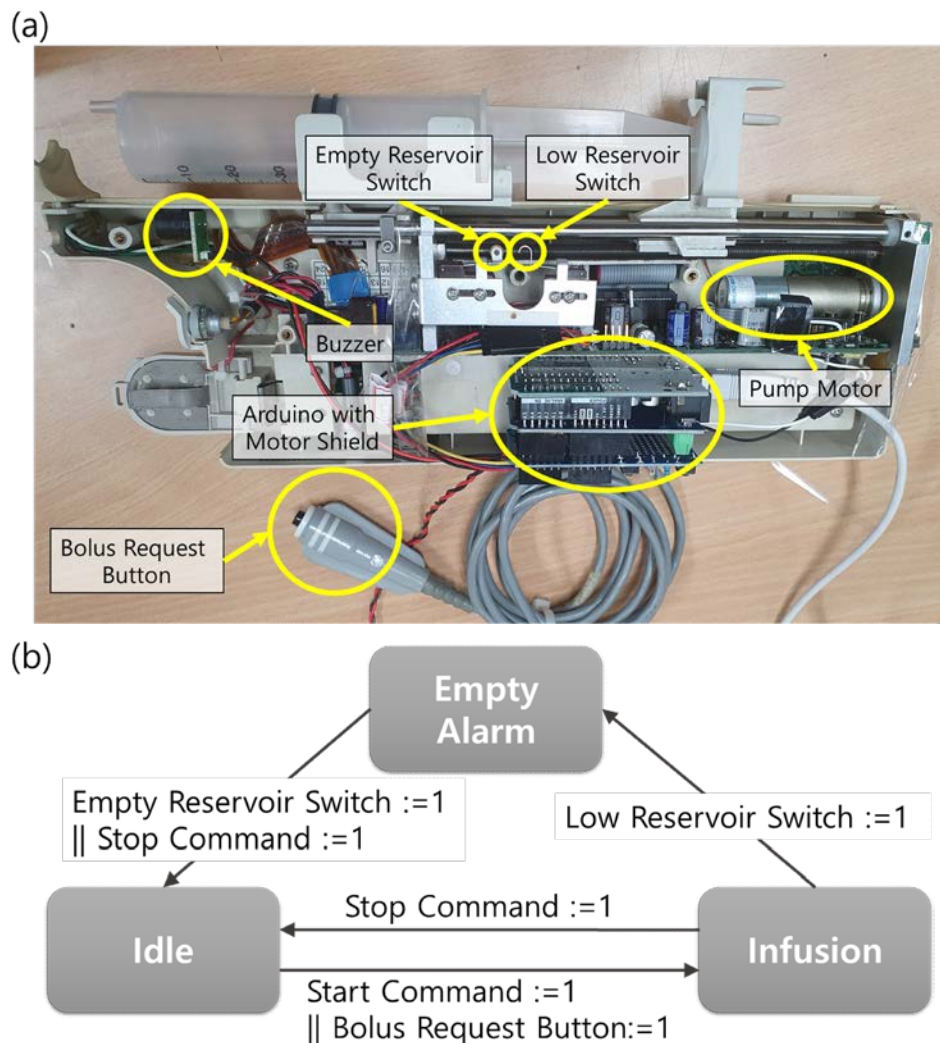


**Fig. 3.** Flow chart of the drug infusion algorithm. [38]

Check if the SI value is within the normal range. If it is in the normal range, check whether the SVRI value is within the normal range. If it is in the normal range, the algorithm is terminated, and if it is decreased, norepinephrine is injected. If the SI value is decreased, the normal range of the LCWI value is determined. If the LCWI value is in the normal range, the normal range of the SVV is determined. If it is increased, fluid is injected until normal blood pressure is achieved. If the LCWI value is decreased and SVV value is within the normal range, dobutamine is injected.

After determining which drug to be administered, how much of the drug to be injected must be determined. The amount of drug is determined according to the value of each parameter.

### 3.3 Control of Infusion Pumps



**Fig. 4.** Infusion Pump Hardware Prototype.

In our architecture, three infusion pumps, as shown in **Fig. 4. (a)**, are used for an automated shock treatment. We use only the main parts and control the infusion pump by adding an embedded board, i.e., Arduino. Arduino plays a role in controlling the infusion pump by connecting the infusion pump's main parts. All three infusion pumps have the same



configuration.

**Fig. 4. (b)** shows a state flow of the infusion pump. The operation of the infusion pump consists of three states: Idle, Infusion, and Empty Alarm. The state of the infusion pump changes according to internal commands (start and stop), physical switches (empty reservoir and low reservoir), and a physical button (bolus request). For example, an infusion pump starts in an Idle state waiting for a trigger input such as a start command or a bolus request. When the trigger input is received, the infusion pump activates the drug infusion until it receives an interrupt input, such as a stop command. The active state of the infusion pump indicates the Infusion state. The Empty Alarm state refers to a condition in which the drug needs to be changed due to low drug volume. A buzzer alarm is activated when a reservoir switch turns on until an empty reservoir switch is triggered or a stop command is received. For automated shock treatment, a central server selects the appropriate infusion pump and controls the infusion pump's operations through internal commands.

## 4. Implementation of the Architecture

Experiments are divided into three main categories. The first is to recognize and store the patient's data in hemodynamic monitoring. The second part is knowing the patient's condition using stored data and choosing the appropriate medication. The third is the part when the selected drug is delivered to the infusion pump control to inject the drug into the patient. The detailed experimental process is described below.

### 4.1 Hemodynamic Monitor Recognition

#### **Algorithm. 1** Parsing Process for Recognition of Hemodynamic Value using EasyOCR

```

Require: Image data from the VGA Capture Device
Use EasyOCR for text detection (recognition) from the image

RGB = Image form data from the capture device
csvHemo = Csv data includes information of hemodynamic values to detect
itemSHemo = Size of the data detected from the monitoring device

while imgRGB is not NULL do
    imgGray = Convert imgRGB to grayscale
    imgGray = EasyOCR.readText(imgGray)
    for idx = 0, 1, ..., itemSHemo do
        if textResult is in csvHemo then
            bufsend.append(textresult)
        end if
    end for
    Send bufsend to server
end while

```

**Algorithm 1** describes the process of extracting hemodynamic values using EasyOCR from the image data through the VGA capture device. First, the image array input through the hemodynamic device and capture device is converted to grayscale. At this time, OpenCV 3.4.0 was used for the grayscale conversion. The transformed array uses EasyOCR to detect and recognize text in the image. When performing recognition, only necessary parameters are

recognized by parsing the information from a csv file in which only information of parameters necessary for recognition are specified. Recognized parameters and values are concatenated to a buffer and transmitted to the server for UI and data storage.



Fig. 5. Hemodynamic monitoring

Fig. 5 shows the patient’s hemodynamic monitoring information sent to the server. On this screen, the SI, LCWI, SVRI, SVV values are extracted as required for shock diagnosis. Hemodynamics monitors used Medis’s products [13]. Fig. 6 shows that the patient’s data is extracted from the monitor once a second using OCR.

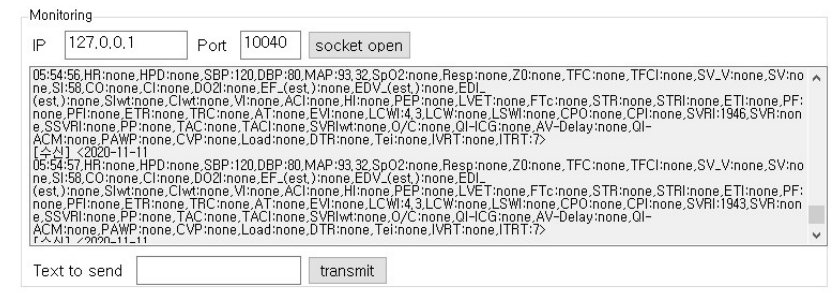


Fig. 6. Real-time OCR recognition

The received information is stored directly in the database. Each patient’s information is stored individually in the database in the patient’s name, patient’s ID, hemodynamic information, time, etc.

Patient information stored in the database can also be viewed directly on the web page as seen in Fig. 7. Medical staff can see the patient’s name and information are stored for each patient. Fig. 7 shows a patient’s hemodynamics information data.

No	SBP	DBP	SI	SV_V	SVRI	MAP	LCWI	Class	Date
1	120	80	58	none	1953	93.32	4.3	7	2021-07-08 17:29:21
2	120	80	58	none	1951	93.32	4.3	7	2021-07-08 17:29:20
3	120	80	58	none	1947	93.32	4.3	7	2021-07-08 17:29:19
4	120	80	58	none	1943	93.32	4.3	7	2021-07-08 17:29:18

Fig. 7. Patient's data in webpage.

### 4.2 Drug Determination

Fig. 8 shows that hemodynamic data stored in the database was retrieved from the main server. Based on this data, the patient's shock is determined. If a shock occurs, the algorithm determines drug selection and injection volume. The determined drug and infusion amount are then stored in the database. The infusion data record time, drugs injected, injection volume and injection velocity.

김태희(880202) 2020-11-11 오전 18:1:13

SI	LCWI	SVV	SVRI	SBP	DBP
(30 ~ 65)	(2.7 ~ 5.1)	(10 ~ 13)	(1300 ~ 2400)	(100 ~ 140)	(60 ~ 90)
59	4.3	none	1955	120	80

Intravenous		
IV	0	ml
Time remaining	0	second

Dobutamine		
IV	0	ml
Time remaining	0	second

Norepinephrine		
IV	0	ml
Time remaining	0	second

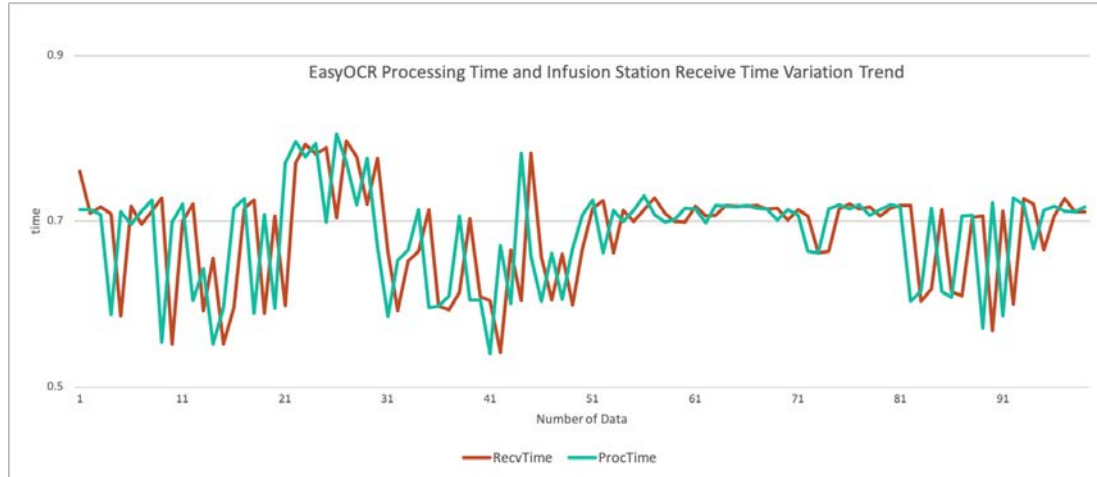
Parameter	Value	Min	Max
HR		0	0
SBP		0	0
DBP		0	0

Time	Algorithm	Event	Detail Event
18:1:15	S460	도부타민 1ml 주입	SI(59), ACI(none), SVV(none), SVRI(1963), SBP(120), DBP(80)

Fig. 8. Drug Selection

The determined drug information uses a wireless Internet network to communicate commands to the microcontroller of the infusion pump. Upon receipt of the command, the microcontroller adjusts the cylinder according to the command and injects drugs into the patient. Data changed after drug injection is stored in the database as result data. Monitor how the hemodynamic data of the patient changes after drug injection. Result data is stored as result data whether drug injection was successful or failed and if hemodynamic information was normalized after injection.

### 4.3 Implementation Results



**Fig. 9.** EasyOCR processing time and infusion station receive time variation trend.

In **Fig. 9**, the red graph is the interval in which the Infusion Station receives the data, and the green graph shows the interval in which the EasyOCR processes the data.

The average interval is 600ms to 750ms, and the average time it takes to send and receive data to and from the server is 500ms, and it takes 1.1sec to 1.25sec for hemodynamic data recognized by the learning model to be loaded into the database.

**Table 2.** Implementation Environment

Specifications	Experiment 1	Experiment 1
CPU	Intel i7 6700K	AMD Ryzen 7 3700X
GPU	Nvidia Geforce GTX1050	NVIDIA TITAN RTX
Memory	16GB	64GB
OS	Ubuntu 18.04.5 LTS	Ubuntu 18.04.5 LTS
Duration	2.0 sec.	1.15 sec.

The experiment was conducted in two environments. In experiment 1, when the program was implemented on a GTX1050 and i7 environment, it took 2 seconds for the entire program to be executed. In the second experiment, when the program was implemented on a Titan and Ryzen 7, it was shortened to 1.15 seconds before the program was executed. As a result, we implemented a system that can check the patient's condition and enable treatment in a short time. However, it was confirmed that there is a difference in speed depending on the computer hardware.

## 5. Discussion and Conclusion

We proposed an architecture that can detect shock and treat it according to the type of shock by combining the shock detection field and IoT to prevent a shortage of human resources and transmission of disease to and from medical staff in the medical field. A thorough and systematic overview of the techniques involved in each component of the proposed model was presented. Hemodynamic data was monitored, patients' shock status was checked, and treatment methods were presented and analyzed. Then, we compared the execution times of the architecture according to the environment of the hardware in terms of suitability for

medical applications. We confirmed that the execution time of the system was different depending on the computer hardware. This technology further discussed the direction of research so that the type of shock can be accurately diagnosed using artificial intelligence and the drug can be used accordingly. However, some parameters, especially SVV are less accurate in patients with spontaneous breathing. This parameter is accurate and reliable only in patients who have applied a positive pressure ventilator with a constant and sufficient tidal volume and no arrhythmia, requiring careful interpretation. Finally, we concluded that existing IoT-based healthcare systems remain in the early stages of development. Currently, the data derived from the hemodynamic monitoring equipment has about 50 parameter values and includes information on various biosignals of the patient. The number of parameters covered in this paper is about 4 to 5, and monitoring is focused on specific diseases such as shock. In the future, it is necessary to consider the methodology of using all 50 parameters provided by the hemodynamic monitoring equipment to check and learn whether more various types of diseases occur and at the same time proceed with treatment.

### Acknowledgement

This research was supported by the Korean government (MSIT) grant number NRF-2019M3E5D1A01066060 and the Bio & Medical Technology Development Program of the National Research Foundation (NRF).

### References

- [1] Shishvan, Omid Rajabi, Daphney-Stavroula Zois, and Tolga Soyata, "Machine intelligence in healthcare and medical cyber physical systems: A survey," *IEEE Access*, 6, 46419-46494, 2018. [Article \(CrossRef Link\)](#)
- [2] Islam, Md Rakibul, Rushdi Zahid Rusho, and Sheikh Md Rabiul Islam, "Design and Implementation of Low Cost Smart Syringe Pump for Telemedicine and Healthcare," in *Proc. of 2019 International Conference on Robotics, Electrical and Signal Processing Techniques (ICREST)*, IEEE, 2019. [Article \(CrossRef Link\)](#)
- [3] Angaran, David M, "Telemedicine and telepharmacy: current status and future implications," *American Journal of Health-System Pharmacy*, 56(14), 1405-1426, 1999. [Article \(CrossRef Link\)](#)
- [4] Yellowlees, Peter M, "Successfully developing a telemedicine system," *Journal of telemedicine and telecare*, 11(7), 331-335, 2005. [Article \(CrossRef Link\)](#)
- [5] Paul J Heinzlmann; Nancy E Lugn; Joseph C Kvedar, "Telemedicine in the future," *Journal of Telemedicine and Telecare*, 11, 384-390, 2005. [Article \(CrossRef Link\)](#)
- [6] Achey, Meredith, et al, "The past, present, and future of telemedicine for Parkinson's disease," *Movement disorders*, 29(7), 871-883, 2014. [Article \(CrossRef Link\)](#).
- [7] Shaw, Donald K, "Overview of telehealth and its application to cardiopulmonary physical therapy," *Cardiopulmonary physical therapy journal*, 20(2), 13-18, 2009. [Online] Available: <https://pubmed.ncbi.nlm.nih.gov/20467533/>.
- [8] Miller, Edward Alan, "Solving the disjuncture between research and practice: telehealth trends in the 21st century," *Health Policy*, 82(2), 133-141, 2007. [Article \(CrossRef Link\)](#).
- [9] Adham Hendy, Serban-Ion Bubenek-Turconi, "The Diagnosis and Hemodynamic Monitoring of Circulatory Shock: Current and Future Trends," *The Journal of Critical Care Medicine*, 2, 115-123, 2016. [Article \(CrossRef Link\)](#)
- [10] Campbell, John E, *International trauma life support for emergency care providers*, Ed. Roy L. Alson, Pearson Education, 2016.

- [11] Weightl, J. A., B. E. Krantz, and J. Ali, “Advanced trauma life support student course 10 manual,” *American College of Surgeons Committee on Trauma*, 6th edn., Chicago, 1997.
- [12] BioZ\_Cardio Profile Non-invasive haemodynamic monitor Device manual. [Online] Available: [https://hs.nisshamedical.com/CardioDynamics/bioz\\_cardiopprofile\\_manual.pdf](https://hs.nisshamedical.com/CardioDynamics/bioz_cardiopprofile_manual.pdf)
- [13] Philips Sure Signs VM6 Bedside patient monitor. [Online] Available: <https://www.philips.com.au/healthcare/product/HC863065/suresigns-vm6-portable-bedside-monitor>
- [14] Nagori, A., Dhingra, L. S., Bhatnagar, A., Lodha, R., & Sethi, T., “Predicting hemodynamic shock from thermal images using machine learning,” *Scientific reports*, 9(1), 1-9, 2019. [Article \(CrossRef Link\)](#)
- [15] Vats, V., Nagori, A., Singh, P., Dutt, R., Bandhey, H., Wason, M., ... & Sethi, T., “Early Prediction of Hemodynamic Shock in the Intensive Care Units with Deep Learning on Thermal Videos,” 2021. [Article \(CrossRef Link\)](#)
- [16] Ammar, Mahmoud, Giovanni Russello, and Bruno Crispo, “Internet of Things: A survey on the security of IoT frameworks,” *Journal of Information Security and Applications*, 38, 8-27, 2018. [Article \(CrossRef Link\)](#)
- [17] Cai, Hongming, et al, “IoT-based big data storage systems in cloud computing: perspectives and challenges,” *IEEE Internet of Things Journal*, 4(1), 75-87, 2017. [Article \(CrossRef Link\)](#)
- [18] B. Heater, “Lenovo shows off a pair of intel-powered smart shoes”. [Online] Available: <https://techcrunch.com/2016/06/09/lenovo-smart-shoes/>.
- [19] Akyildiz, Ian F., Tommaso Melodia, and Kaushik R. Chowdhury, “A survey on wireless 30 multimedia sensor networks,” *Computer networks*, 51(4), 921-960, 2007. [Article \(CrossRef Link\)](#)
- [20] SmartEye SmartRep and RFID Technology—Westminster City Council—London. [Online] Available: <http://www.smartparking.com/keep-up-to-date/case-studies/3-500-vehicle-detection-sensors-and-epermit-technology-in-the-city-of-westminster-london>.
- [21] SMART Farm. [Online] Available: <http://www.une.edu.au/research/research-centres-institutes/smart-farm>.
- [22] Smart Water—Smarter at Every Point. [Online] Available online: <http://www.sensus.com/internet-of-things/smart-water>.
- [23] H El-Sayed, Hesham, and Gokulnath Thandavarayan, “Congestion detection and propagation in urban areas using histogram models,” *IEEE Internet of Things Journal*, 5(5), 3672-3682, 2018. [Article \(CrossRef Link\)](#)
- [24] Tokognon, C. Arcadius, et al, “Structural health monitoring framework based on Internet of Things: A survey,” *IEEE Internet of Things Journal*, 4(3), 619-635, 2017. [Article \(CrossRef Link\)](#)
- [25] Alam, Kazi Masudul, Mukesh Saini, and Abdulmotaleb El Saddik, “Toward social internet of vehicles: Concept, architecture, and applications,” *IEEE access*, 3, 343-357, 2015. [Article \(CrossRef Link\)](#)
- [26] Tan, Song, et al, “Survey of security advances in smart grid: A data driven approach,” *IEEE Communications Surveys & Tutorials*, 19(1), 397-422, 2017. [Article \(CrossRef Link\)](#)
- [27] Fan, Yuan Jie, et al, “IoT-based smart rehabilitation system,” *IEEE transactions on industrial informatics*, 10(2), 1568-1577, 2014. [Article \(CrossRef Link\)](#)
- [28] Pasluosta, Cristian F., et al, “An emerging era in the management of Parkinson's disease: wearable technologies and the internet of things,” *IEEE journal of biomedical and health*, 19(6), 1873-1881, 2015. [Article \(CrossRef Link\)](#)
- [29] Chang, Shih-Hao, et al, “A context-aware, interactive M-health system for diabetics,” *IT professional*, 18(3), 14-22, 2016. [Article \(CrossRef Link\)](#)
- [30] Wolgast, Georg, et al, “Wireless body area network for heart attack detection [Education Corner],” *IEEE antennas and propagation magazine*, 58(5), 84-92, 2016. [Article \(CrossRef Link\)](#)
- [31] Sebe, Nicu, et al., *Machine learning in computer vision*, vol. 29, Springer Science & Business Media, 2005.
- [32] Greenhalgh, J., & Mirmehdi, M., “Recognizing text-based traffic signs,” *IEEE Transactions on Intelligent Transportation Systems*, 16(3), 1360-1369, 2014. [Article \(CrossRef Link\)](#)

- [33] Jaided AI. EasyOCR. [Online] Available: <https://github.com/JaidedAI/EasyOCR>
- [34] Baek, Youngmin, et al, "Character region awareness for text detection," in *Proc. of the IEEE/CVF Conference on Computer Vision and Pattern Recognition*, 2019.
- [35] Shi, Baoguang, Xiang Bai, and Cong Yao, "An end-to-end trainable neural network for image based sequence recognition and its application to scene text recognition," *IEEE transactions on pattern analysis and machine intelligence*, 39(11), 2298-2304, 2017. [Article \(CrossRef Link\)](#)
- [36] Hamdi, A., Chan, Y. K., & Koo, V. C., "A New Image Enhancement and Super Resolution technique for license plate recognition," *Heliyon*, 7(11), e08341, 2021. [Article \(CrossRef Link\)](#)
- [37] Bansal, C., & Sidhu, B., "Machine Learning based Hybrid Approach for Email Spam Detection," in *Proc. of 2021 9th International Conference on Reliability, Infocom Technologies and Optimization (Trends and Future Directions)(ICRITO)*, IEEE, pp. 1-4, Sep. 2021. [Article \(CrossRef Link\)](#)
- [38] B. S. Ko, Smart infusion pump, KP Patent 10-2019-0102880, 2019.



**Namhwa Lee** received B.S. degree in Computer Science from Sangmyung University, Cheonan, Chungcheongnam-do, Republic of Korea in 2019. He received M.S degree in Hanyang University, Seoul, Republic of Korea in 2021. He is Currently a Research Engineer with Hyundai Mobis R&D Center, Yongin, Gyeonggi-do, Republic of Korea. His research interests include Computer Network, Embedded Systems, Machine learning, and Deep learning.



**Minsu Jeong** received B.S. degree in Computer Science from Sangmyung University, Cheonan, Chungcheongnam-do, Republic of Korea in 2019. He is currently pursuing the M.S. degree with Hanyang University, Seoul, Republic of Korea. His research interests include IoT, Machine Learning, Deep Learning, and Computer/Satellite Networks.



**Youngjae Kim** received B.S. degree in Computer Science from Hansung University, Seoul, Republic of Korea in 2019. He received M.S degree in Hanyang University, Seoul, Republic of Korea in 2021. His research interests include Deep learning, Neural Networks, and Personalized Recommender Systems.



**Jisoo Shin** received B.S. degree in Electronic and Communications Engineering from Korea maritime and ocean University, Busan, Republic of Korea in 2015. She received M.S degree in Hanyang University, Seoul, Republic of Korea in 2021. Her research interests include IoT, Machine Learning, and Deep Learning.



**Inwhee Joe** received his B.S. and M.S. degrees in Electronics Engineering from Hanyang University, Seoul, Republic of Korea, and his Ph.D. degree in Electrical and Computer Engineering from Georgia Institute of Technology, Atlanta, GA in 1998. Since 2002, he has been a faculty member in the Division of Computer Science and Engineering at Hanyang University, Seoul, Republic of Korea. His current research interests include IoT, Cellular Systems, Wireless Power Communication Networks, Embedded Systems, Machine learning, Computer Vision, and Performance Evaluation.



**Sanghoon Jeon** received the B.S. degree from the School of Electronics Engineering from Kyungpook National University, Daegu, the Republic of Korea in 2012. He received the M.S. degree and the Ph.D. degree from the Department of Information and Communication Engineering from DGIST, Daegu, the Republic of Korea in 2014 and 2020, respectively. He is currently a Post-doctoral Research Fellow from the department of Emergency Medicine, College of Medicine, Hanyang University, Seoul, Republic of Korea. His research interests include Wearable Computing, Human-Computer Interface, Healthcare&IoT applications, Embedded Systems, and Cyber-Physical Systems.



**Byuk Sung Ko** received the B.S. degree from College of Medicine and Medical School, Chosun University, Gwangju, Republic of Korea, in 2006. He received the M.S. and Ph.D. degree in Medicine from the University of Ulsan College of Medicine, in 2011 and 2018, respectively. He is currently an Associate Professor with the Department of Emergency Medicine, College of Medicine, Hanyang University, Seoul, Republic of Korea. His research interests are in the areas of Emergency Medicine, Critical Care Medicine, and Resuscitation Medicine.