

Erratum: Correction of Figure. Analysis and Experimental Characterization of Low Speed Direct Drive Fractional Slot Concentrated Winding Surface Permanent Magnet Synchronous Motor with Consequent Pole Rotor

Shi-Uk Chung[†], Yon-Do Chun* and Seok-Hwan Moon**

This corrects the article "Analysis and Experimental Characterization of Low Speed Direct Drive Fractional Slot Concentrated Winding Surface Permanent Magnet Synchronous Motor with Consequent Pole Rotor" in volume 10, No. 5 on page 2058.

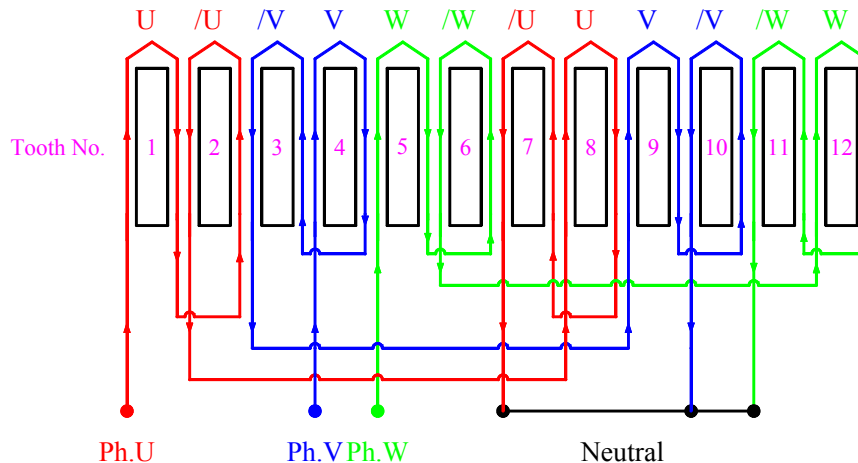
To the Editor:

We found an error in our published article.

S. U. Chung, Y. D. Chun, and S. H. Moon. Analysis and Experimental Characterization of Low Speed Direct Drive Fractional Slot Concentrated Winding Surface Permanent Magnet Synchronous Motor with Consequent Pole Rotor. J Electr Eng Technol 2015; 10(5): 2057-2061.

The Fig. 2 were drawn incorrectly in part. The correct drawing is below.

Corrected Fig. 2



[†] Corresponding Author: Electric Motor Research Center, Korea Electrotechnology Research Institute / Department of Energy and Power Conversion Engineering, University of Science & Technology, Changwon, Korea. (suchung@keri.re.kr)

* Electric Motor Research Center, Korea Electrotechnology Research Institute/Department of Energy and Power Conversion Engineering, University of Science & Technology, Changwon, Korea.

** Electric Motor Research Center, Korea Electrotechnology Research Institute, Changwon, Korea.

Received: June 15, 2016; Accepted: June 21, 2016