

# A New Family of Cascaded Transformer Six Switches Sub-Multilevel Inverter with Several Advantages

M. R. Banaei<sup>†</sup> and E. Salary<sup>\*</sup>

**Abstract**—This paper presents a novel topology for cascaded transformer sub-multilevel converter. Each sub-multilevel converter consists of two DC voltage sources with six switches to achieve five-level voltage. The proposed topology results in reduction of DC voltage sources and switches number. Single phase low frequency transformers are used in proposed topology and voltage transformation and galvanic isolation between load and sources are given by transformers. This topology can operate as symmetric or asymmetric converter but in this paper we have focused on symmetric state. The operation and performance of the suggested multilevel converter has been verified by the simulation results of a single-phase nine-level multilevel converter using MATLAB/SIMULINK.

**Keywords:** Sub-Multilevel inverter, Six switches, Symmetric state.

## 1. Introduction

Multilevel inverter is considered as one of the most significant recent advances in power electronics. The advantages of these converters approach include good power quality, good electro-magnetic compatibility, low switching losses and high voltage capability [1]. Most multilevel inverters have an arrangement of switches and DC voltage sources or DC links capacitor. By a proper control of the switching devices, they can generate staircase output voltages. The desired output of a multilevel inverter is synthesized by several sources of DC voltages. Some of the fundamental multilevel topologies include the diode-clamped [2-4], flying capacitor [4-6], and cascaded H-bridge structures [7-10]. Several combinatorial designs have also emerged by means of cascading the fundamental topologies that they are called hybrid topologies [10-12]. The main disadvantage associated with the multilevel configurations is their circuit complexity, requiring a high number of components, semiconductor switches, driver circuits and DC voltage sources. Recently, several multilevel converter topologies have been developed [13-20]. Novel topologies of cascaded multilevel inverters using a reduced number of switches and gate driver circuits are presented in [13-16].

A new topology is recommended in [13], and in [14], the optimal structures for this topology are investigated. Reduction number of switches and DC voltage sources for producing the maximum output voltage levels are main advantage of this topology. The main disadvantage of this

topology is requiring multiple DC sources and bi-directional switches. In [15, 16] novel configuration of cascaded multilevel inverters have been proposed. The suggested topologies need fewer switches and gate driver circuits but they require multiple DC sources and some switches of suggested topologies have high peak inverse voltage (PIV). A symmetrical multilevel inverter has been presented in [17]. This multilevel inverter can generate DC voltage levels similar to other topologies with less number of components but it requires multiple DC sources.

A novel H-bridge multilevel pulse width modulation converter topology based on a series connection of a high-voltage diode-clamped inverter and a low-voltage conventional inverter is proposed in [18]. A DC link voltage arrangement for the new hybrid and asymmetric solution is presented to have a maximum number of output voltage levels by preserving the adjacent switching vectors between voltage levels [18] but it needs a lot of number of capacitors and operation in asymmetric state has some limitation.

In [19] novel configuration of multilevel multicell has been proposed and provide a high number of output levels, high modularity and low number of components [19] but they require multiple capacitors and some switches of suggested topologies have high PIV.

In [20] novel configuration of flying capacitor multicell Converter has been proposed. Proposed configuration of multicell inverter requires less number of switches in comparison with typical flying capacitor multicell inverters but it needs a lot of number of capacitors and some switches of suggested topology have high PIV.

Recently cascaded transformer multilevel topologies are proposed. These have the advantage of having single DC voltage source and transformer can be used to voltage transformation and isolation [21-23]. The leakage reactance

<sup>†</sup> Corresponding Author: Electrical Engineering Department, Faculty of Engineering, Azarbaijan Shahid Madani University, Tabriz, Iran. (m.banaei@azaruniv.edu)

<sup>\*</sup> Electrical Engineering Department, Faculty of Engineering, Azarbaijan Shahid Madani University, Tabriz, Iran. (salari@azaruniv.edu)

Received: May10, 2012; Accepted: March24, 2013

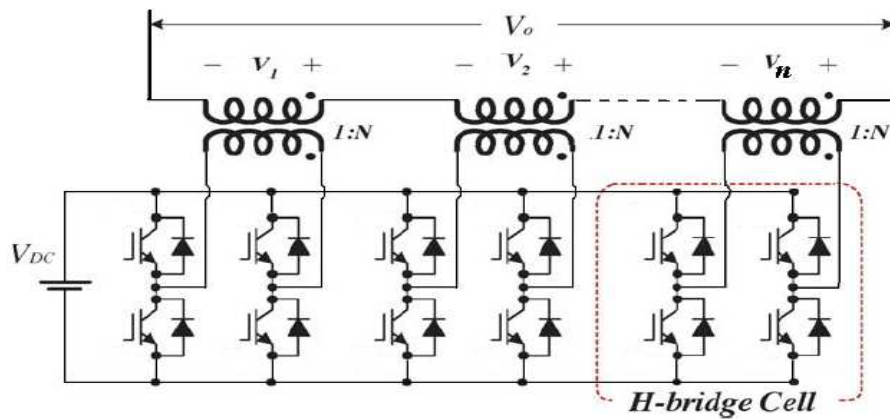


Fig. 1. Circuit diagram of a single phase cascaded transformer H-bridge multilevel inverter.

of the cascaded transformers provides high-performance filtering effect of the harmonic components of the inverter output voltage [24-26].

Fig. 1 shows a single-phase topology of a cascaded transformer converter with single DC voltage source [26]. In cascaded transformer H-bridge multilevel inverters, selection of turn ratio of transformers is main part of inverter design. The output voltages of basic units are cascaded through the secondary of the transformers. The input voltage to transformers is defined by switching functions of the basic units. Output voltage is sum of the transformers output voltages. The amplitude of the output voltage is determined by the input DC voltage source and turn ratio of the transformers. An output phase voltage waveform is obtained by summing the output voltages of transformers:

$$V_o = V_1 + V_2 + \dots + V_n \quad (1)$$

The cascaded transformer H-bridge multilevel inverter can operate in symmetric or asymmetric state to obtain uniform step voltage. If all turn ratios of transformers are the same, the inverter is known as symmetric multilevel inverter. The maximum number of phase voltage levels is given by:

$$m = 2n + 1 \quad (2)$$

Where  $n$ ,  $m$  are the number of DC voltage source and the maximum number of levels of phase voltage respectively.

An attempt has been made in this paper to introduce a new topology for cascaded transformer multilevel inverter which employs two single DC voltage sources and isolated single-phase low-frequency transformers. This topology consists of series connected sub-multilevel inverter blocks. By the proposed circuit configuration, a number of switches and DC voltage sources (or DC link capacitors) can be reduced, compared with traditional multilevel inverters. Proposed inverter can operate as symmetric or asymmetric converter but in this paper we have focused on

symmetric state. To verify the performance of the proposed cascaded transformer multilevel inverter, we carried out computer-aided simulations and experiments using a prototype. There are several modulation strategies for multilevel inverters [27-29]. In this work, the fundamental frequency switching technique has been used.

## 2. Sub-Multilevel Inverter

Fig. 2 shows the suggested sub-multilevel inverter block. This consists of two DC voltage sources equal to  $\frac{V_{dc}}{2}$  with six switches and single phase low frequency transformer. There are six switches in the proposed sub-multilevel inverter block to achieve five-level voltage. The  $H_1$  and  $H_2$  switches in sub-multilevel inverter block in Fig. 2, only can generate the positive output voltages. For generating both of the positive and negative output voltages, the H-bridge structure shown in Fig. 2 is proposed. Zero level is produced with  $H_3$  and  $H_4$  or  $H_5$  and  $H_6$ .

Fig. 3 shows six valid operating states in the sub-multilevel inverter block to generate five different voltage levels on the ac side of sub-multilevel inverter. In generation second positive level, for example,  $H_1$ ,  $H_3$  and  $H_6$  are turned on.

The sub-multilevel inverter blocks shown in Fig. 2 can be cascaded as shown in Fig. 4. An output phase voltage is obtained by summing the output voltages of transformers:

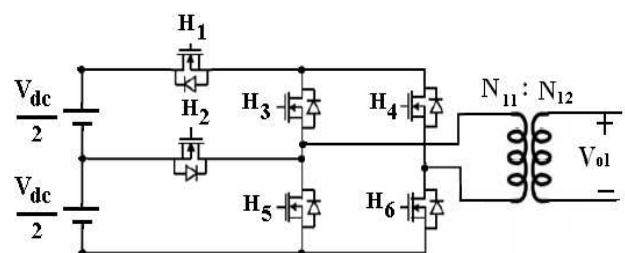
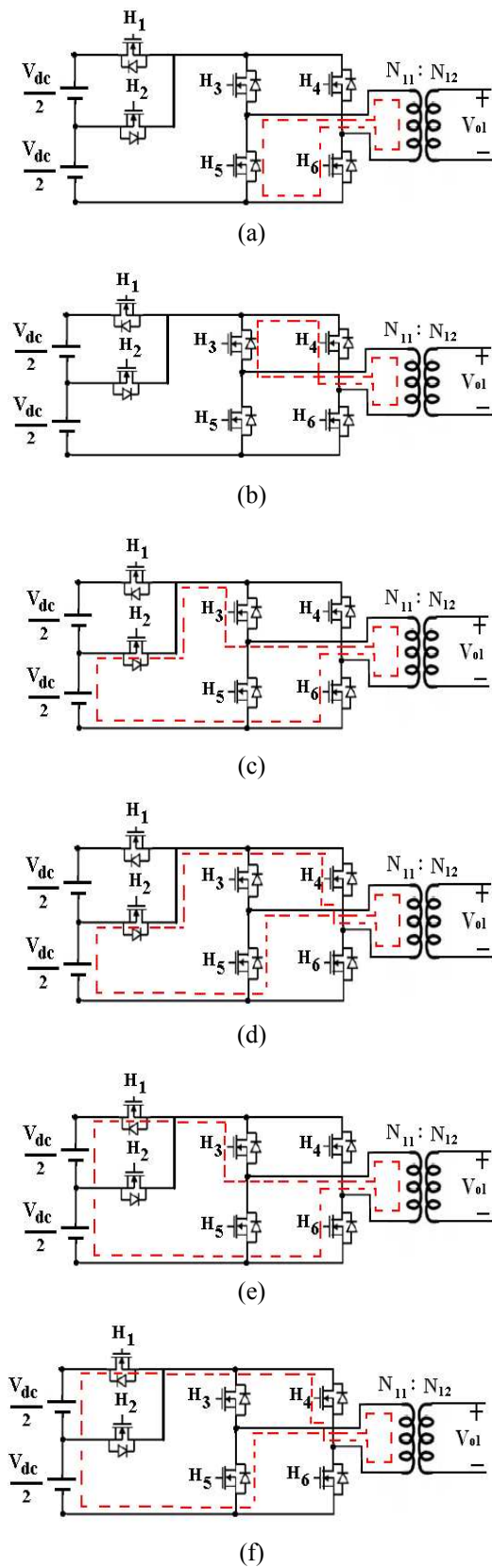
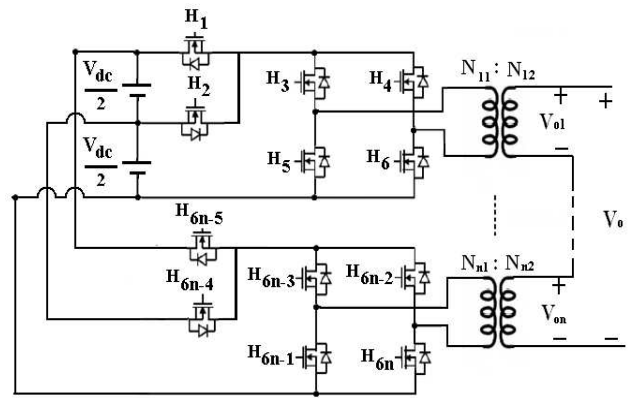


Fig. 2. Suggested sub-multilevel inverter block.



**Fig. 3.** Six operating states in the sub-multilevel inverter block: (a) zero level; (b) zero level; (c) first positive level; (d) first negative level; (e) second positive level; (f) second negative level.



**Fig. 4.** Proposed multilevel inverter.

$$V_o = V_{o1} + V_{o2} + \dots + V_{on} \quad (3)$$

Where  $n$  is the number of cascaded transformers. If all turn-ratio of transformers in Fig. 4 are equal to  $1 : N$  then the converter is known as symmetric multilevel inverter. The effective number of output voltage levels ( $m$ ) in this topology may be related to the number of transformers ( $n$ ) by:

$$m = 4n + 1 \quad (4)$$

The maximum output voltage of this  $n$  cascaded transformers is:

$$V_{Omax} = n \cdot N \cdot V_{dc} \quad (5)$$

The number of switches is given as:

$$SW_p = 6n \quad (6)$$

$$SW_p = \frac{3(m-1)}{2} \quad (7)$$

Where  $SW_p$  is number of switches in proposed topology.

### 3. Comparison study

In multilevel inverter topologies, the required number of power devices depends on the output voltage level. However, increasing the number of power semi-conductor switches increases the inverter circuit size, cost, installation area and control complexity. To provide a large number of output levels without increasing the number of switches and DC voltage sources, a new power circuit topology based symmetrical multilevel converter is proposed. To probe the reduction in component numbers achieved by this new configuration, Table 1 presents the number of components required to implement a five-level inverter using the proposed topology and four previously multilevel inverters that can be considered as the standard multilevel inverters.

**Table 1.** Comparison of power component requirement.

	Diode clamped	Flying capacitor	cascaded H-bridge	Cascaded transformer H-bridge	Proposed
Main Switches	8	8	8	8	6
DC Source	1	1	2	1	2
DC link capacitor	4	4	0	0	0
Main Diode	8	8	8	8	6
Clamping Diode	6	0	0	0	0
Balancing Capacitor	0	3	0	0	0
Transformer	0	0	0	2	1
Total	27	24	18	19	15

The new topology achieves a 25% reduction in the number of main switches required, using only six controlled power switches instead of the eight required in any of the other four configurations. The number of switches in four standard configurations is given as:

$$SW_S = 2(m - 1) \tag{8}$$

With notice to Eqs (7) and (8) 25% reduction in the number of main switches is calculated as:

$$\frac{SW_P}{SW_S} = \frac{\frac{3(m-1)}{2}}{2(m-1)} = \frac{3}{4} = 0.75 \tag{9}$$

In comparison between diode clamped configuration and proposed topology, the new topology reduces the number of diodes and reduces the number of capacitors by 100%.

$$\frac{D_P}{D_{dc}} = \frac{\frac{3(m-1)}{2}}{2(2m-3)} = \frac{3(m-1)}{8(m-1.5)} \tag{10}$$

Where  $D_P$  and  $D_{dc}$  are number of diodes in proposed and diode clamped configurations.

The new topology achieves almost a 60% reduction in the number of diodes required when compared with the diode clamped configuration.

In comparison between flying capacitor configuration and proposed topology, the new topology doesn't need any DC link capacitor and balancing capacitor and reduces the number of capacitors by 100%. The new topology achieves a 25% reduction in the number of main diodes according to Eq. (9) when compared with the flying capacitor configuration.

In comparison between cascaded H-bridge configuration and proposed topology, number of DC voltage sources and switches are reduced.

Existence of transformers in multilevel inverter configurations may be add to circuit size and cost while three previously multilevel inverters don't need any transformers in their structures but it is important to notice this point that a case where it needs to high voltage output

from low voltage source, previously multilevel inverters require additional components or step-up transformers. However, voltage transformation and galvanic isolation capability obtain in presence of transformers in proposed structure.

In comparison between transformer H-bridge multilevel inverter and proposed topology, number of transformer and switches are reduced although the proposed topology has two DC voltage source in its structure.

To provide a large number of output levels without increasing the number of components, asymmetric multilevel inverters can be used. Proposed multilevel inverter can operate as asymmetric multilevel inverter. In order to achieve asymmetric state, different methods for the determination of turn-ratio of transformers can be used. In this paper, the turn-ratio of transformers can be chosen according to a geometric progression with a factor of 2, 3 and 5.

For  $n$  cascaded sub-multilevel inverters, in the binary, Trinary and Finary method the turn-ratio of transformers are suggested to be chosen according to the following algorithm:

Binary method:

$$\begin{aligned} N_{11} &= N_{21} = \dots = N_{n1} \\ N_{i2} &= (2^{i-1})N_{i1} \quad i=1,2,\dots,n \end{aligned} \tag{11}$$

Trinary method:

$$\begin{aligned} N_{11} &= N_{21} = \dots = N_{n1} \\ N_{i2} &= (3^{i-1})N_{i1} \quad i=1,2,\dots,n \end{aligned} \tag{12}$$

Finary method:

$$\begin{aligned} N_{11} &= N_{21} = \dots = N_{n1} \\ N_{i2} &= (5^{i-1})N_{i1} \quad i=1,2,\dots,n \end{aligned} \tag{13}$$

Table 2 shows the number of voltage levels of asymmetric multilevel inverters based on proposed topology. These asymmetric multilevel inverter schemes efficiently increase the number of output voltage levels based on the different turn-ratio of the cascaded transformers.

The different turn-ratio of cascaded transformers means the unbalance of power distribution per individual transformer and means the different saturation conditions of the transformers [26]. In this work we have focused on symmetric state.

**Table 2.** Number of voltage levels of asymmetric proposed topologies.

	Binary	Trinary	Finary
Number of levels	$2^{n+2} - 3$	$2(3^n - \frac{1}{2})$	$5^n$

### 4. Simulation Results

To verify the performance of the proposed multilevel inverter in the generation of a desired output voltage, a prototype is simulated based on the proposed topology according to that is shown in Fig. 5. As can be seen this converter uses two units in series per output phase, with an output transformer. The MATLAB software has been used for simulation. In the simulation, the switches are assumed ideal.

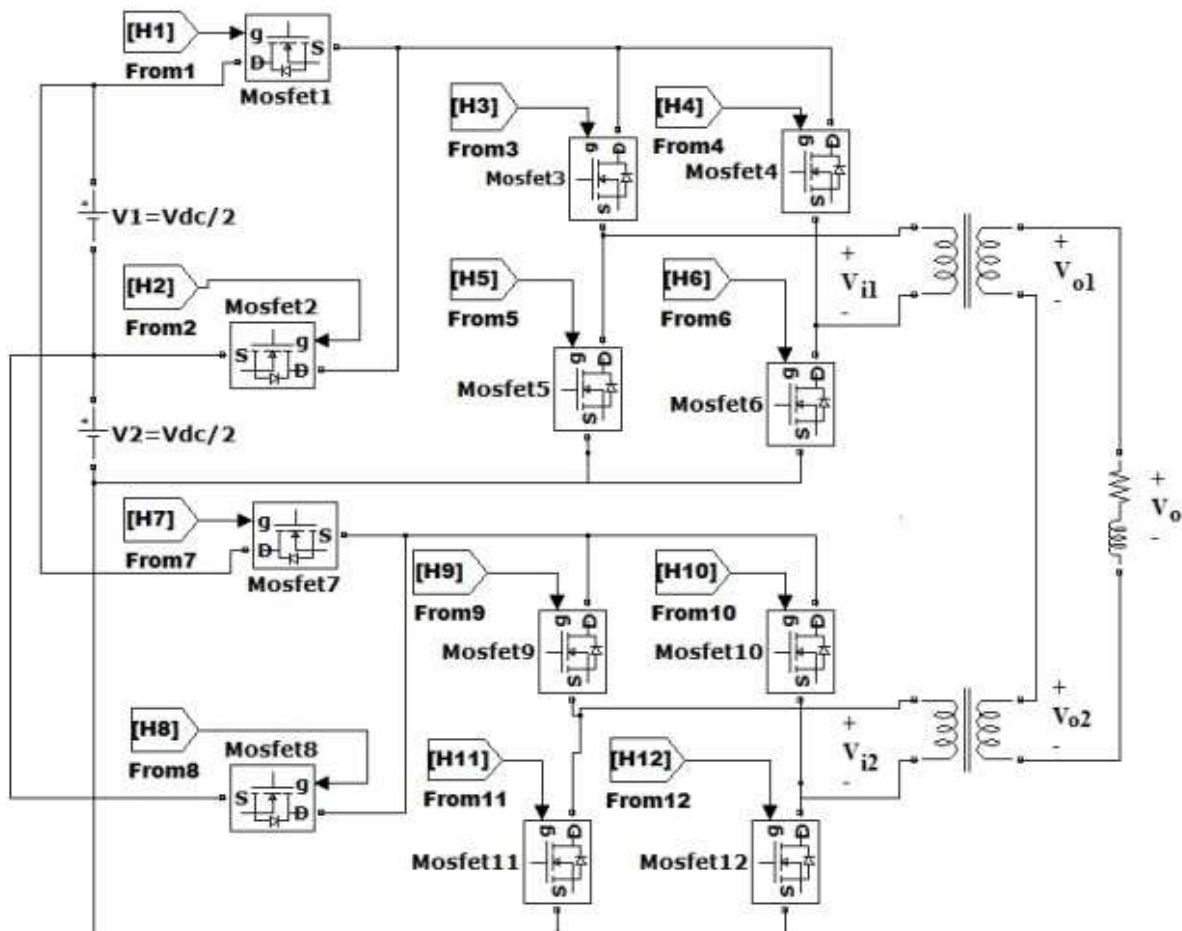
The first study is for investigating the waveforms of the symmetric converter. The turn-ratio of transformers in Fig. 5 are equal to 1:1. For this reason, the converter has been adjusted to produce a 50Hz, 9-level staircase voltage waveform. A simulation has been made on the R-L load ( $R=12\Omega$  and  $L=30mH$ ) and  $\frac{V_{dc}}{2} = 50V$ . Table 3 shows the ON switches look-up table for the symmetric state of multilevel converter shown in Fig. 5. Note that there are different switching patterns for producing the zero, first, second and third level, and that only one of them is shown in Table 3.

Figs. 6(a) and (b) show the input voltage of the transformer in the different units. Each unit generates a

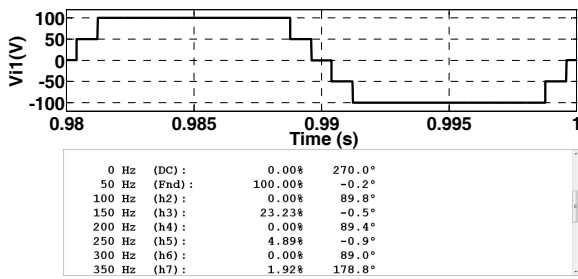
**Table 3.** Look-up table of switching in nine-level multilevel inverter.

On Switches	$V_o(V)$	On Switches	$V_o(V)$
1, 3, 6, 7, 9, 12	200	1, 4, 5, 7, 10, 11	-200
1, 3, 6, 8, 9, 12	150	1, 4, 5, 8, 10, 11	-150
1, 3, 6, 9, 10	100	1, 4, 5, 11, 12	-100
2, 3, 6, 9, 10	50	2, 4, 5, 11, 12	-50
3, 4, 9, 10	0	5, 6, 11, 12	0

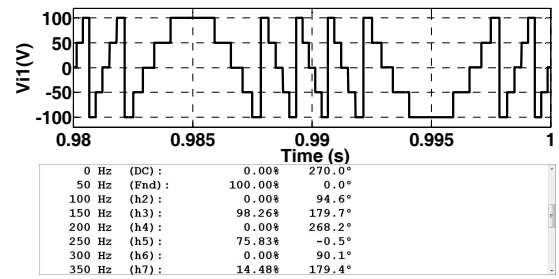
quasi-square waveform with positive, zero and negative values. The harmonic spectrums of the transformer input voltage are shown in Figs. 6(a) and 6(b), too. The DC value of input voltages of transformers is very low (near to zero). The magnitude of lower frequencies than 50 Hz is very small (near to zero) and they can't create difficult in terms of core saturation. So no problem exists about transformer saturation in proposed structure. The output voltages of transformers are the same as input voltage of transformers because the turn ratios of transformers are 1:1. The overall output voltage of the converter is the sum of the outputs of units. Fig. 6(c) shows the output voltage and Fourier analysis.



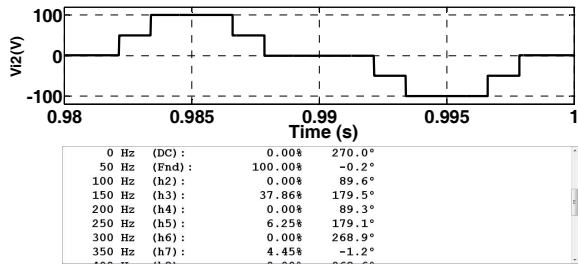
**Fig. 5.** Proposed 9-level symmetric multilevel inverter.



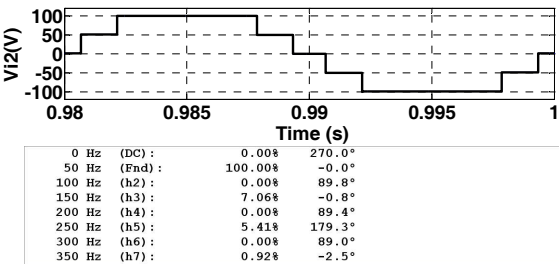
(a)



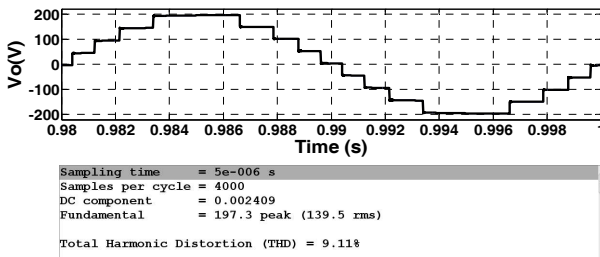
(a)



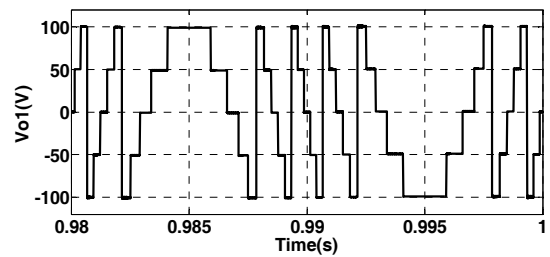
(b)



(b)



(c)



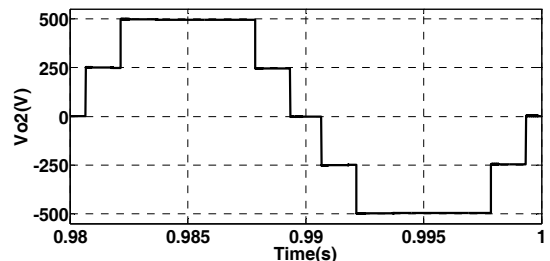
(c)

Fig. 6. 9-level multilevel inverter: (a) input voltage of the transformer,  $V_{i1}$ ; (b) input voltage of the transformer,  $V_{i2}$  and (c) output voltage,  $V_o$ .

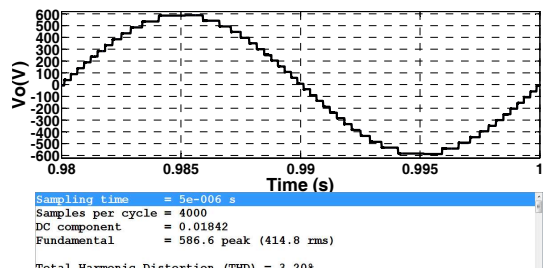
Table 4. Look-up table of switching in twenty five-level inverter.

On Switches	$V_o(V)$	On Switches	$V_o(V)$
1,3,6,7,9,12	600	1,4,5,7,10,11	-600
2,3,6,7,9,12	550	2,4,5,7,10,11	-550
2,3,4,7,9,12	500	1,5,6,7,10,11	-500
2,4,5,7,9,12	450	2,3,6,7,10,11	-450
1,5,4,7,9,12	400	1,3,6,7,10,11	-400
1,3,6,8,9,12	350	1,4,5,8,10,11	-350
2,3,6,8,9,12	300	2,4,5,8,10,11	-300
2,3,4,8,9,12	250	1,5,6,8,10,11	-250
2,4,5,8,9,12	200	2,3,6,8,10,11	-200
1,4,5,8,9,12	150	1,3,6,8,10,11	-150
1,3,6,8,9,10	100	1,4,5,7,11,12	-100
2,3,6,8,9,10	50	2,4,5,7,11,12	-50
1,3,4,7,9,10	0	2,5,6,8,11,12	0

In the second simulation, by using transformers with a turn ratio according to Fifnary method, the proposed 9-level inverter can be turned into a 25-level multilevel inverter. The turn ratio of transformer in first unit is 1:1 ( $N_{11} = N_{12}$ ) and for second unit the turn ratio of transformer is 1:5 ( $N_{22} = 5N_{21}$ ). In this state  $N_{11}$  is equal



(d)



(e)

Fig. 7. 25-level multilevel inverter: (a) input voltage of the transformer,  $V_{i1}$ ; (b) input voltage of the transformer,  $V_{i2}$ ; (c) output voltage of the transformer,  $V_{o1}$ ; (d) output voltage of the transformer,  $V_{o2}$  and (e) output voltage,  $V_o$ .



with  $N_{21}$ . Table 4 shows the ON switches look-up table for the 25-level multilevel inverter. Fig. 7(a) and (b) show the input voltage and harmonic spectrums of the transformers in the different units. The DC value of input voltages of transformers is very low. The output voltages of transformers are shown in Fig. 7(c) and (d). The output phase voltage is obtained by summing the output voltages of transformers. Fig. 7(e) shows the output voltage and harmonic spectrum. The proposed converter has 25-level voltages per phase. Total harmonic distortion (THD) of output voltage is as low as 5%. In the case study, THD is equal to 3.2%. It can be observed from the harmonic spectrum of voltages that, presented topology is effective to meet low harmonic level.

## 5. Conclusions

Conventional diode clamped inverter or flying capacitor inverter needs clamped diodes or flying capacitors in the circuit to achieve multilevel PWM operation. In the adopted inverter, no flying capacitor and clamped diode are used in the circuit configuration. To reduce the number of separate dc sources new configurations have also been presented. The suggested topology needs less switches and gate driver circuits. Therefore, the proposed topology leads to reduction of installation area and cost and has simplicity of control system. Simulation results show that the proposed inverter can produce the desired output voltage.

## References

- [1] S. Khomfoi and L. M. Tolbert, "Multilevel power converters", *Power electronics handbook, Elsevier, ISBN 978-0-12-088479-7, 2nd edn., Chapter 17*, pp. 451-482, 2007.
- [2] A. Nabae, I. Takahashi and H. Akagi, "A new neutral-point clamped PWM inverter", in *Proceeding of IAS*, pp. 761-766, 1980.
- [3] Y. Cheng, C. Qian, M. L. Crow, S. Pekarek, and S. Atcitty, "A comparison of diode-clamped and cascaded multilevel converters for a STATCOM with energy storage", *IEEE Trans. Ind. Electron.*, Vol. 53, No. 5, pp. 1512-1521, Oct. 2006.
- [4] J. Rodriguez, J. Lai, F.Z. Peng, "Multilevel Inverters: a survey of topologies, controls", and applications, *IEEE Trans. Ind. Appl.* Vol. 49, No. 4, pp. 724-738, 2002.
- [5] T. A. Meynard and H. Foch, "Multi-level conversion: high voltage choppers and voltage source inverters", in *Proceeding of PESC*, Vol. 1, pp. 397-403, 1992.
- [6] D. Krug, S. Bernet, S. S. Fazel, K. Jalili, and M. Malinowski, "Comparison of 2.3-kV medium-voltage multilevel converters for industrial medium-voltage drives", *IEEE Trans. Ind. Electron.*, Vol. 54, No. 6, pp. 2979-2992, Dec. 2007.
- [7] C. Rech and J. R. Pinheiro, "Hybrid multilevel converters: Unified analysis and design considerations", *IEEE Trans. Ind. Electron.*, Vol. 54, No. 2, pp. 1092-1104, Apr. 2007.
- [8] L. M. Tolbert, F. Z. Peng, T. Cunnyngham, J. N. Chiasson, "Charge balance control schemes for cascade multilevel converter in hybrid electric vehicles", *IEEE Trans. Industrial Electronics*, Vol. 49, No. 5, pp. 1058-1064, Oct. 2002.
- [9] J. I. Leon, S. Vazquez, A. J. Watson, L. G. Franquelo, P. W. Wheeler, J. M. Carrasco, "Feed-forward space vector modulation for single-phase multilevel cascaded converters with any DC voltage ratio", *IEEE Trans. Industrial Electronics*, Vol. 56, No. 2, pp. 315-325, Feb. 2009.
- [10] H. Liu, L. M. Tolbert, S. Khomfoi, B. Ozpineci, Z. Du, "Hybrid cascaded multilevel inverter with PWM control method", in *Proceeding of IEEE Power Electronics Specialists Conference 2008*, pp.162-166, June. 2008.
- [11] H. Stemmler and P. Guggenbach, "Configurations of high-power voltage source inverters drives", in *Proceeding of European Conference on Power Electronics and Applications*, Vol. 5, pp. 7-14, 1993.
- [12] C. Rech and J. R. Pinheiro, "Hybrid multilevel converters: Unified analysis and design considerations", *IEEE Trans. Ind. Electron.*, Vol. 54, No. 2, pp. 1092-1104, Apr. 2007.
- [13] E. Babaei, S.H. Hosseini, G.B. Gharehpetian, M. Tarafdar Haque and M. Sabahi, "Reduction of dc voltage sources and switches in asymmetrical multilevel converters using a novel topology", *Electric Power Systems Research*, pp. 1073-1085, 2007.
- [14] E. Babaei, "Optimal Topologies for Cascaded Sub-Multilevel Converters", *Journal of Power Electronics*, Vol.10, No. 3, pp. 251-261, May. 2010.
- [15] E. Babaei and S. H. Hosseini, "New cascaded multilevel inverter topology with minimum number of switches", *Energy Conversion and Management*, Vol. 50, pp. 2761-2767, 2009.
- [16] M. R. Banaei and E. Salary, "New multilevel inverter with reduction of switches and gate driver", *Energy Conversion and Management*, Vol. 52, pp. 1129-1136, 2011.
- [17] M. R. Banaei and E. Salary, "ANALYSIS OF A GENERALIZED SYMMETRICAL and MULTILEVEL INVERTER", *Journal of Circuits, Systems, and Computers*, Vol. 20, No. 2, pp.1-13, 2011.
- [18] A. Nami, F. Zare, A. Ghosh and F. Blaabjerg, "A Hybrid Cascade Converter Topology with Series-Connected Symmetrical and Asymmetrical Diode-Clamped H-Bridge Cells", *IEEE Trans Power Electron*, Vol. 26, No. 1, JANUARY. 2011.
- [19] V. Dargahi, M. Salehifar, M. Abarzadeh and A. Shoulaie, "Grid Interaction of DG Units with a Modified Mixed Cascade Flying Capacitor Multicell Inverter", in *Proceeding of 2<sup>nd</sup> Power Electronic*,

*Drive System & Technologies Conference, Tehran, Iran, 2011.*

- [20] P. Lezana and J. Rodriguez, "Mixed multicell cascaded multilevel inverter", in *Proceeding of IEEE International Symposium on Industrial Electronics ISIE 2007*, pp. 509-514, June. 2007.
- [21] E. Barcenas, S. Ramirez, V. Cardenas, R. Echavarria, "Cascaded multilevel inverter with only one dc source", in *Proceeding of VIII IEEE Inter. Tech. Proc. CIEP*, pp. 171-176, October, 2002.
- [22] S. J. Park, F. S. Kang, S. E. Cho, C. J. Moon, H. K. Nam, "A novel switching strategy for improving modularity and manufacturability of cascaded transformer based multilevel inverters", *Electr. Power Syst. Res.*, Vol. 74, pp. 409-416, June. 2005.
- [23] S. G. Song, F. S. Kang and S. J. Park, "Cascaded Multilevel Inverter Employing Three-Phase Transformers and Single DC Input", *IEEE TRANSACTIONS ON INDUSTRIAL ELECTRONICS*, Vol. 56, No. 6, JUNE. 2009.
- [24] F. S. Kang, S. J. Park and C. U. Kim, "Multilevel inverter employing cascaded transformers", in *Proceedings of IEEE Industrial Electronics Society Conference*, pp. 2169-2174, 2003.
- [25] S. Iyer, A. Ghosh, A. Joshi, "Inverter topologies for DSTATCOM applications-a simulations study", *Electr. Power Syst. Res.*, Vol. 75, pp. 161-170, August. 2005.
- [26] S. J. Park, F. S. Kang, S. E. Cho, C. J. Moon and H. K. Nam, "A novel switching strategy for improving modularity and manufacturability of cascaded transformer based multilevel inverters", *Electr. Power Syst. Res.*, Vol. 74, No. 3, pp. 409-416, June. 2005.
- [27] J. N. Chiasson, L. M. Tolbert, K. J. McKenzie and Z. Du, "Control of a multilevel converter using resultant theory", *IEEE Trans Cont. Syst. Theory*, Vol.11, No.3, pp. 345-354, May. 2003.
- [28] K. E. Naggar, T. H. Abdelhamid, "The Selective harmonic elimination of new family of multilevel inverters using genetic algorithms", *Energy Convers. Manage.*, Vol. 49, pp. 89-95, 2008.
- [29] K. A. Corzine, M. W. Wielebski, F. Z. Peng and J. Wang, "Control of cascaded multi-level inverters", *IEEE Trans Power Electron.*, Vol.19, No.3, pp. 732-738, 2004.



**Mohamad Reza Banaei** was born in Tabriz, Iran. He received his M.Sc. degree from the Poly Technique University of Tehran, Iran, in control engineering in 1999 and his Ph.D. degree from the electrical engineering faculty of Tabriz University in power engineering in 2005. He is an Associate

Professor in the Electrical Engineering Department of Azarbaijan Shahid Madani University, Iran, which he joined in 2005. His main research interests include the modeling and controlling of power electronic converters, renewable energy, modeling and controlling of FACTS and Custom Power devices and power systems dynamics.



**Ebrahim Salary** was born in Khoram Abad, Iran. He received his B.S. degree in power electrical engineering from Dezful Azad University, Dezful, Iran, in 2004 and his M.S. degree from Azarbaijan Shahid Madani University, Tabriz, Iran, in 2010. His main research interests are power electronics, power quality improvement and renewable energy.