

Design and Implementation of Internal Multi-Band Folded Monopole Antenna for Mobile Handset Applications

Joo Bong Yoo, Woon Geun Yang, *Member, KIMICS*

Abstract— In this paper, we designed and fabricated a multi-band folded monopole antenna for mobile handsets that can be used for multiple services. The proposed antenna, with a small size of $28.060 \times 12.665 \times 5.035 \text{ mm}^3$ can provide sufficient bandwidth to cover the GSM900 (Global System for Mobile Communications: 880-960 MHz), DCS (Digital Cellular System: 1710-1880 MHz), K-PCS (Korea-Personal Communication Service: 1750-1870 MHz), Wibro (2300-2390 MHz) and Bluetooth (2400-2483 MHz) bands.

Index Terms — Multi-band, Internal antenna, Folded antenna, Monopole.

I. INTRODUCTION

MODERN mobile handsets are essentially required to operate at multiple frequency bands to facilitate their use in various communication environments. Also, the trend of the mobile phones is getting smaller and slimmer because of the consumer's needs and the multiple functions [1][2]. These handsets facilitate both international roaming and connectivity to local devices. At the same time, the wireless handset has adapted the popular internal antenna structure. In addition, there is a great demand for reducing the handset size, which remains relatively large in modern mobile handsets due to the presence of various integrated components for different applications. Therefore, small sized multiple antennas for wireless terminals are urgently needed for the mobile handset industry [3].

Many planar monopole antennas have been developed to meet the needs of multi-band operation and multimedia handset antennas for third generation mobile systems, such as the folded monopole antenna type, and planar inverted-F antenna (PIFA) type. Especially, monopole antennas have found widespread applications in wireless mobile communications systems [4]-[10].

In this paper, we propose an internal antenna for multi-band operation covering the GSM900 (Global System for Mobile Communications: 880-960 MHz), DCS (Digital

Cellular System: 1710-1880MHz), K-PCS (Korea-Personal Communication Service: 1750-1880 MHz), Wibro (2300-2390 MHz), and Bluetooth (2400-2483 MHz) bands. The measured results of the fabricated antenna are compared with the simulated ones which were obtained using an Ansoft HFSS (High Frequency Structure Simulator) based on the finite element method [11].

II. PROPOSED ANTENNA

Fig.1 and table 1 show the geometry and parameters of the proposed folded monopole antenna. The size of the antenna in this paper is $28.060 \times 12.665 \times 5.035 \text{ mm}^3$. For the design proposed herein, the antenna is fabricated on an inexpensive FR4 substrate with a dielectric constant of 4.4 and substrate thickness of 1.60mm. The ground size is $80 \times 40 \text{ mm}^2$.

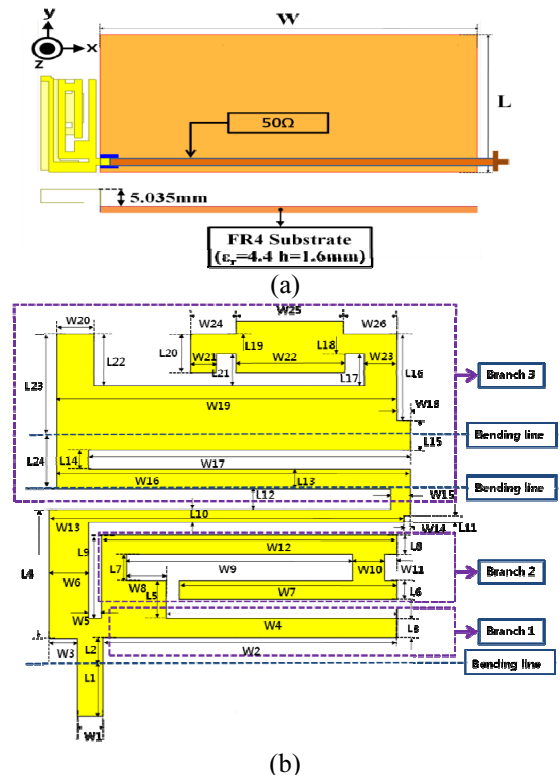


Fig. 1. Geometry of the proposed antenna. (a) Top and side views. (b) Detail dimensions of the proposed antenna.

Manuscript received October 14, 2010; revised November 21, 2010; accepted November 29, 2010.

Joo Bong Yoo is with the Department of Electronics Engineering, University of Incheon, Incheon, 406-772, Korea (Tel: +82-32-835-4767, Email: stcko@incheon.ac.kr

Woon Geun Yang (Corresponding Author) is with the Department of Electronics Engineering, University of Incheon, Incheon, 406-772, Korea (Tel: +82-32-835-4767, Email: wgyang@incheon.ac.kr

The proposed antenna has three branch lines. Branch line 1 is the shortest branch and the nearest branch from the feeding point. Branch 1 influences the whole impedance matching. Branch line 2 is on the top layer. It corresponds to the resonant frequency of the DCS and K-PCS bands. Branch line 3 is the longest branch and corresponds to the lowest resonant frequency band [12].

TABLE I
DESIGN PARAMETERS OF THE PROPOSED ANTENNA

Parameter	Length(mm)	Parameter	Length(mm)
W	8.000	L	4.000
W ₁	2.000	L ₁	5.035
W ₂	22.860	L ₂	1.035
W ₃	2.200	L ₃	1.500
W ₄	18.000	L ₄	10.000
W ₅	1.000	L ₅	3.000
W ₆	3.060	L ₆	1.500
W ₇	16.950	L ₇	2.000
W ₈	3.000	L ₈	1.500
W ₉	17.500	L ₉	6.500
W ₁₀	2.500	L ₁₀	1.000
W ₁₁	1.000	L ₁₁	0.500
W ₁₂	23.000	L ₁₂	1.630
W ₁₃	27.560	L ₁₃	1.500
W ₁₄	0.500	L ₁₄	1.500
W ₁₅	1.500	L ₁₅	2.334
W ₁₆	27.500	L ₁₆	6.700
W ₁₇	25.000	L ₁₇	2.500
W ₁₈	1.000	L ₁₈	1.500
W ₁₉	26.500	L ₁₉	1.000
W ₂₀	2.940	L ₂₀	3.000
W ₂₁	2.000	L ₂₁	2.500
W ₂₂	8.500	L ₂₂	4.000
W ₂₃	2.560	L ₂₃	8.004
W ₂₄	3.500	L ₂₄	4.035
W ₂₅	8.400		
W ₂₆	4.160		

III. SIMULATION AND MEASUREMENT

The characteristics of the proposed antenna were simulated using HFSS of Ansoft which is based on the finite element method (FEM). The measurements of the implemented antenna were conducted in an anechoic chamber equipped with an HP 8510C network analyzer and a far field measurement system.

Fig. 2 shows the excited surface current distributions obtained from the HFSS simulation in the radiation element of the proposed antenna at 920 MHz, 1795 MHz

and 2392 MHz. For the 920 MHz excitation, a large surface current distribution is observed along branch line 3. This implies that branch line 3 is the major radiation element for the proposed antenna at 920MHz and it is operated as a quarter-wavelength structure. For the 1795 MHz operation, branch line 2 plays the major role. For the 2392 MHz band, branch lines 1 and 2 contribute to the radiation.

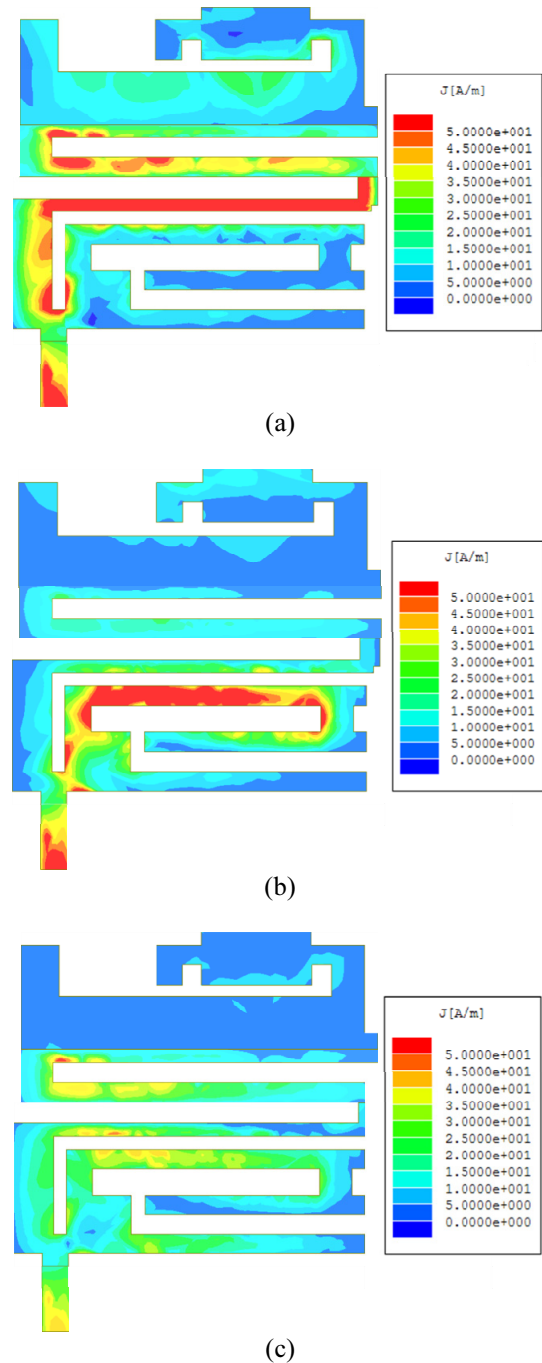


Fig. 2. Current distribution of the proposed antenna.(a) Current distribution at 920 MHz. (b) Current distribution at 1795 MHz. (c) Current distribution at 2392 MHz.

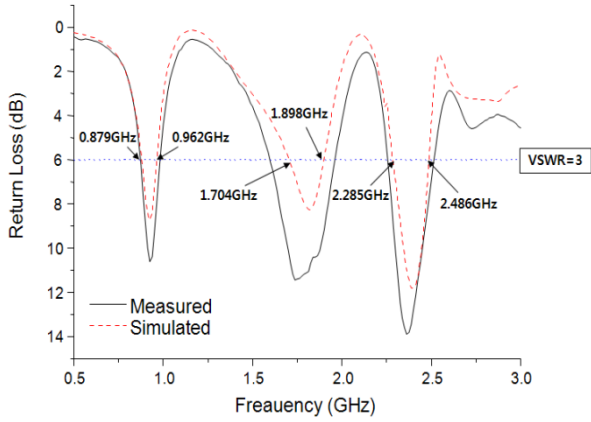
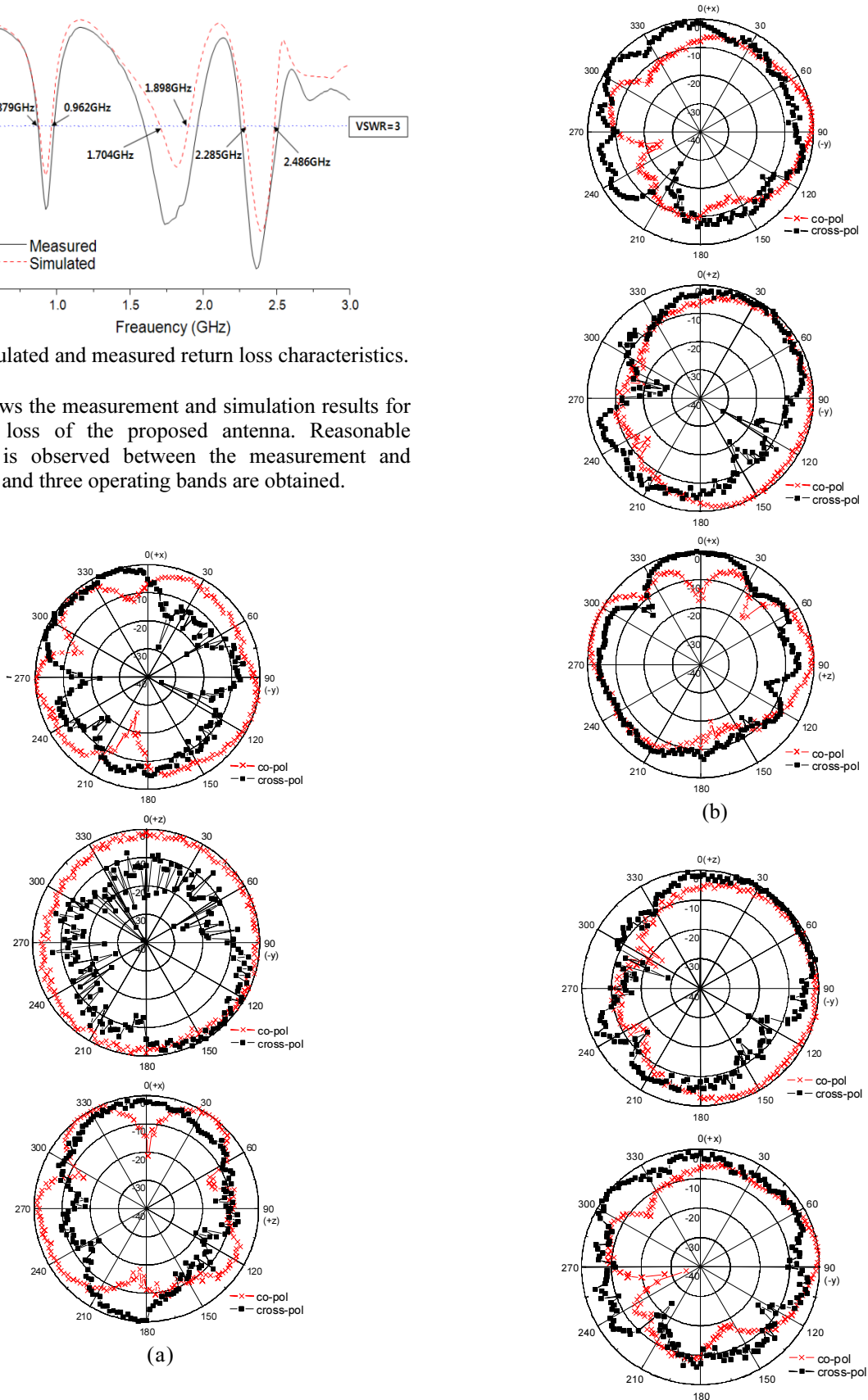


Fig. 3. Simulated and measured return loss characteristics.

Fig. 3 shows the measurement and simulation results for the return loss of the proposed antenna. Reasonable agreement is observed between the measurement and simulation, and three operating bands are obtained.



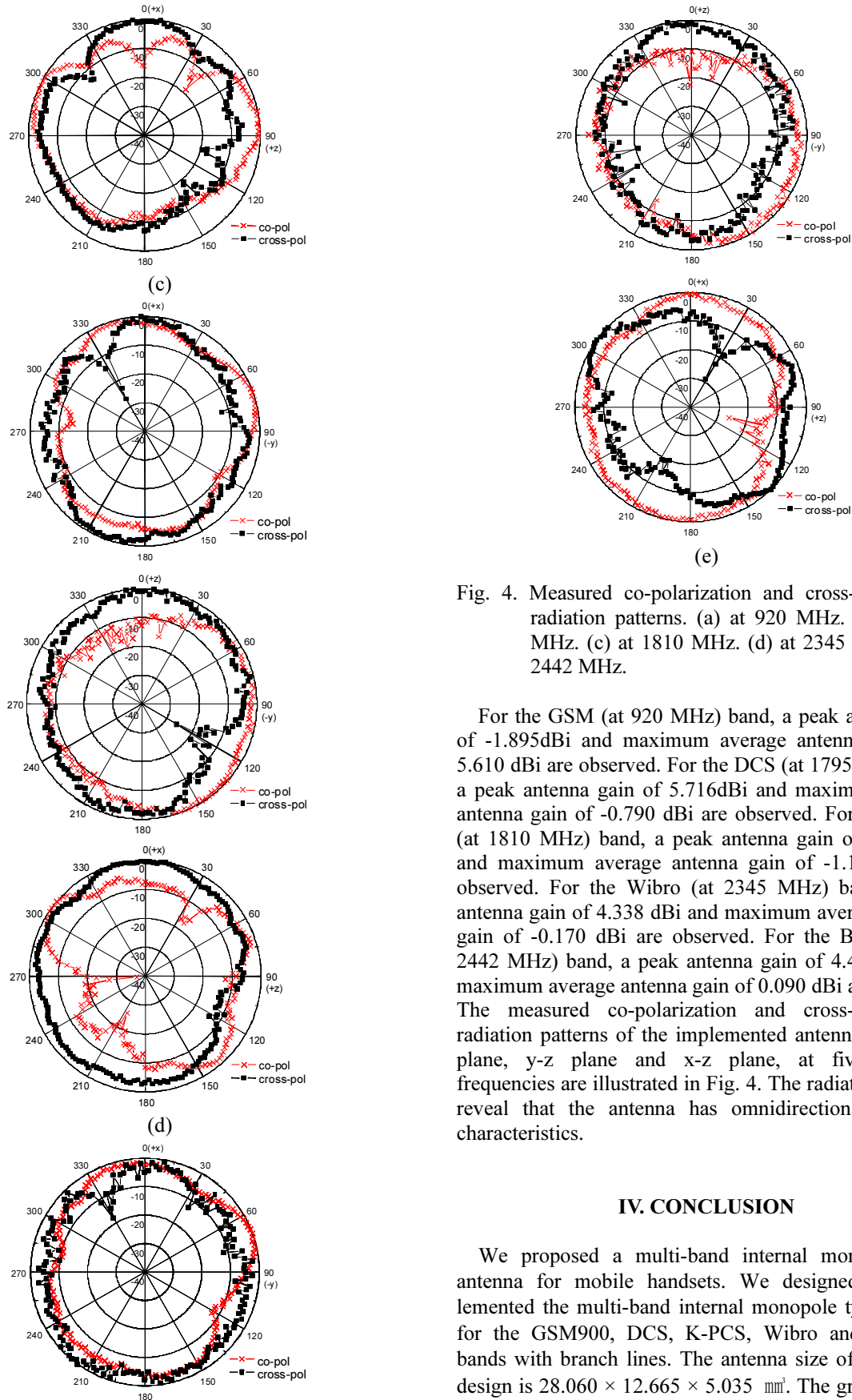


Fig. 4. Measured co-polarization and cross-polarization radiation patterns. (a) at 920 MHz. (b) at 1795 MHz. (c) at 1810 MHz. (d) at 2345 MHz. (e) at 2442 MHz.

For the GSM (at 920 MHz) band, a peak antenna gain of -1.895 dBi and maximum average antenna gain of -5.610 dBi are observed. For the DCS (at 1795 MHz) band, a peak antenna gain of 5.716 dBi and maximum average antenna gain of -0.790 dBi are observed. For the K-PCS (at 1810 MHz) band, a peak antenna gain of 5.495 dBi and maximum average antenna gain of -1.190 dBi are observed. For the Wibro (at 2345 MHz) band, a peak antenna gain of 4.338 dBi and maximum average antenna gain of -0.170 dBi are observed. For the Bluetooth (at 2442 MHz) band, a peak antenna gain of 4.413 dBi and maximum average antenna gain of 0.090 dBi are observed. The measured co-polarization and cross-polarization radiation patterns of the implemented antenna in the x-y plane, y-z plane and x-z plane, at five different frequencies are illustrated in Fig. 4. The radiation patterns reveal that the antenna has omnidirectional radiation characteristics.

IV. CONCLUSION

We proposed a multi-band internal monopole type antenna for mobile handsets. We designed and implemented the multi-band internal monopole type antenna for the GSM900, DCS, K-PCS, Wibro and Bluetooth bands with branch lines. The antenna size of the sample design is $28.060 \times 12.665 \times 5.035$ mm³. The ground size is

80 × 40 mm². The current distribution is simulated. The proposed antenna shows monopole-like radiation patterns. The measured peak gains are -1.895 dBi at 920 MHz, 5.716 dBi at 1795 MHz, 5.495 dBi at 1810 MHz, 4.338 dBi at 2345 MHz and 4.413 dBi at 2442MHz. These features are attractive for GSM/ DCS/ K-PCS/ Wibro/ Bluetooth applications. The proposed internal monopole type antenna has good radiation pattern characteristics; therefore, we expect the proposed internal monopole type antenna can be applicable to multi-band mobile handsets.

ACKNOWLEDGMENT

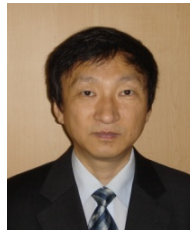
This Work was supported by University of Incheon Research Grant in 2009.

REFERENCES

- [1] H. W. Hsieh, Y. C. Lee, K. K. Tiong, and J. S. Sun, "Design of a Multiband Antenna for Mobile Handset Operations," *IEEE Antennas and Wireless Propagation Letters.*, vol. 8, pp. 200-203, Apr. 2009.
- [2] C. L. Liu, Y. F. Lin, C. M. Liang, S. C. Pan, and H. M. Chen, "Miniature Internal Penta-Band Monopole Antenna for Mobile Phones," *IEEE Transactions on Antenna and Propagation.*, vol. 58, pp.1008-1011, Mar. 2010.
- [3] H. S. Yoon and S. O. Park, "A New Compact Hexaband Internal Antenna of the Planar Inverted F-Type for Mobile Handsets," *IEEE Antenna and Wireless Propagation Letters.*, vol. 6, pp. 336-339, Jul. 2007.
- [4] S. Lin, G. Wang, K. Pan, X. Ge, Y. Yang, "A novel dual-frequency monopole for WCDMA and 2.5 GHz extension band," *Microwave and Millimeter Wave Technology, 2010 International Conference.*, pp. 362-365, May. 2010.
- [5] Y. S. Shin, S. O. Park, and M. Lee, "A broadband interior antenna of planar monopole type in handsets," *IEEE Antennas and Wireless Propagation Letters.*, vol. 4, pp. 9-12, Jun. 2005.
- [6] Y. T. Liu, "wideband stubby monopole antenna for mobile phone," *Electronics Letters.*, vol. 42, no. 7, pp. 385-387, Mar. 2006.
- [7] J. S. Kuo and C. Y. Huang, "Triple-frequency planar monopole antenna for side-feed communication device on GSM/DCS/PCS operation," *Electronics letters.*, vol. 42, no. 5, pp. 268-270, Mar. 2006.
- [8] D. U. Sim and S. O. Park, "A triple-band internal antenna: design and performance in presence of the handset case, battery, and human head," *IEEE Transactions on Electromagnetic Compatibility.*, vol. 47, no. 3, pp. 658-666, Aug. 2005.
- [9] K. L. Wong, S. W. Su, C. L. Tang, and S. H. Yeh, "Internal shorted patch antenna for a UMTS folder-type mobile phone," *IEEE Transactions on Antenna and Propagation.*, vol 53, no. 10, pp. 3391-3394, Oct. 2005.
- [10] K. L. Wong, Y. C. Lin, and T. C. Tseng, "Thin internal GSM/DCS patch antenna for a portable mobile terminal," *IEEE Transactions on Antenna and Propagation.*, vol. 54, no. 1, pp. 238-242, Jan. 2006.
- [11] K. S. Yoon, S. B. Park, S. M. Kim, and W. G. Yang, "Penta-Band Internal Antenna for Mobile Handset Applications Using Parasitic Element," *Microwave and Optical Technology Letter.*, vol. 50, no. 12, pp. 3045-3048, Oct. 2008.
- [12] S. M. Kim, K. S. Yoon, S. B. Park, W. G. Yang, N. K. Kim, and J. H. Lee, "Multi-band Internal Monopole Antenna for Mobile Station," *Microwave and Optical Technology Letter.*, vol. 50, no. 3, Jan. 2008.



Joo Bong Yoo received his B.S. degree in electronics engineering from the University of Incheon, Incheon, South Korea, in 2009. Since March 2009, he has been the M.S. student in electronics engineering, University of Incheon, South Korea. His research interests include mobile antennas and SAR.



Woon Geun Yang received his B.S., M.S. and Ph.D. degrees in electronics engineering from Seoul National University, Seoul, South Korea, in 1983, 1985 and 1994, respectively. From 1988, he has been the faculty of Dept. of electronics engineering, University of Incheon, Incheon, South Korea. From March, 1997 to Dec., 2001, and from Feb., 2004 to Jan., 2005, he had been a consulting professor for LG Electronics Inc. including former LG Information & Communications Co., Ltd. From May, 2001 to Feb., 2002, he was an invited researcher in ETRI (Electronics and Telecommunications Research Institute). His name has been listed in the "Who's Who in the World" since 2003. His research interests include mobile communication, antenna, RFID, SAR.