

JPE 9-2-5

A New Unity Power Factor Rectifier System using an Active Waveshaping Technique

Se-Wan Choi[†] and Young-Sang Bae^{*}

[†]Dept. of Control and Instrumentation Eng., Seoul National University of Technology, Korea

ABSTRACT

This paper proposes a new three-phase diode rectifier system with a sinusoidal input current at unity power factor and a regulated and isolated output voltage at low level. The inherent natural wave-shaping capability of the reduced kVA polyphase transformer together with an active current wave-shaping technique results in a significant reduction of input and output filter requirements associated with switching ripple and EMI. The operation principles are described along with a design example and a comparative evaluation. Experimental results on a 1.5kW prototype are provided to validate the proposed concept.

Keywords: Permanent magnet synchronous motor, Parameter measurement, P - Q circle diagram, Iron loss diode rectifier, Waveshaping, Three-phase power factor correction, Polyphase transformer

1. Introduction

A front end diode rectifier has widely been used in industries. Due to inherent nonlinear switching, diode rectifiers suffer from large input current harmonics resulting in many serious problems in the power system. There have been many approaches to eliminate the harmonics in the rectifier system.

A six-switch PWM rectifier demonstrates high input power factor, but requires complicated measurements and feedback control and is in general costly^[1]. A single-switch three-phase PFC is simple to control and

low in cost, but suffers from high switch current rating and high EMI due to discontinuous mode operation^[2] and therefore, in general, can not be applied to higher power applications of more than 10KW.

A three-phase rectifier employing three single-phase boost PFC circuits with direct coupling operates in continuous conduction mode (CCM) and therefore allows high power factor and small EMI filters^[3].

However, the output voltage is high due to boost operation and requires the use of a DC-DC converter stage to get a low voltage such as 48VDC in a telecommunication system.

Recently, an 18-pulse isolated rectifier has been proposed to provide a regulated dc voltage at low level for telecommunication equipment^[4]. This scheme is attractive in that natural power factor correction is achieved by a polyphase autotransformer, and control is simple since current balancing can be obtained by the connection of

Manuscript received Nov. 26, 2008; revised January 20, 2009

[†]Corresponding Author: schoi@snut.ac.kr.

Tel:+82-2-970-6542, Fax:+82-2-972-2866, Seoul Nat'l Univ.of Tech

^{*}Dept. of Control and Instrumentation Eng., Seoul National University of Technology, Korea

secondary windings in high frequency transformers.

In this paper, a three-phase diode rectifier based on the arrangement of a polyphase autotransformer and an active wave-shaping technique is proposed and shown in Fig. 1. The proposed approach incorporates a 12-pulse autotransformer and two three-phase diode rectifiers, each followed by a full bridge converter operating at continuous conduction mode. An active wave shaping technique is applied to the proposed scheme resulting in sinusoidal input currents at unity power factor. The advantages of the proposed scheme are;

- Sinusoidal input current at unity power factor meeting with IEEE519 current distortion limits.
- Higher efficiency due to no use of an intermediate dc-dc conversion stage and the use of a relatively small number of components.
- Significantly reduced input and output filter requirements associated with switching ripple and EMI due to the proposed active wave-shaping technique based on the polyphase transformer arrangement.
- Isolated and regulated dc voltage at low levels which are applicable to telecom equipment.
- Suitability for higher power applications due to CCM operation in the whole range of load variations.

The operation principles are described along with the reference signal generation and control method in the following section.

2. Proposed Active Diode Rectifier System

A. Operating Principles

Fig. 1 shows the basic configuration of the proposed rectifier system that employs a three-phase autotransformer and two three-phase diode rectifiers, each followed by a current source full bridge converter. The three-phase autotransformer is employed to supply two sets of three-phase voltages for each diode bridge which lead and lag the input source voltage by 15° , respectively.

The KVA rating of the autotransformer is $0.24P_o$, and this considerably reduces the size and weight compared to the equivalent Δ -Y transformer which has a KVA rating of

$1.035 P_o$ [5]. The operating principle is illustrated with various waveforms shown in Fig. 2.

$$\begin{bmatrix} i_{a1} \\ i_{b1} \\ i_{c1} \end{bmatrix} = \begin{bmatrix} S_{a1} \\ S_{b1} \\ S_{c1} \end{bmatrix} \cdot i_{L1}, \quad \begin{bmatrix} i_{a2} \\ i_{b2} \\ i_{c2} \end{bmatrix} = \begin{bmatrix} S_{a2} \\ S_{b2} \\ S_{c2} \end{bmatrix} \cdot i_{L2} \quad (1)$$

From the autotransformer connection, the input current can be expressed in terms of rectifier input currents as [5],

$$i_a = i_{a1} + i_{a2} + 0.1547 \cdot (i_{c2} - i_{b2} + i_{b1} - i_{c1}) \quad (2)$$

Then, the phase 'a' input current can be expressed in terms of the inductor currents and the switching functions as,

$$i_a = \{S_{a1} + 0.1547 \cdot (S_{b1} - S_{c1})\} \cdot i_{L1} + \{S_{a2} + 0.1547 \cdot (S_{c2} - S_{b2})\} \cdot i_{L2} \quad (3)$$

It can be noted from equation (3) that the input current is determined by the inductor current. If the inductor current is dc, the input current would have 12-pulse characteristics due to the natural wave-shaping capability of the autotransformer. Now, the inductor current is controlled to have a wave shape given in the following,

$$i_{L1}^*(t) = \frac{K}{2\sqrt{2}V_{LL}} \cdot \text{Min}\{|v_{ab}(t)|, |v_{bc}(t)|, |v_{ca}(t)|\} \quad (4)$$

$$i_{L2}^*(t) = i_{L1}^*(t - \frac{30^\circ}{\omega}) \quad (5)$$

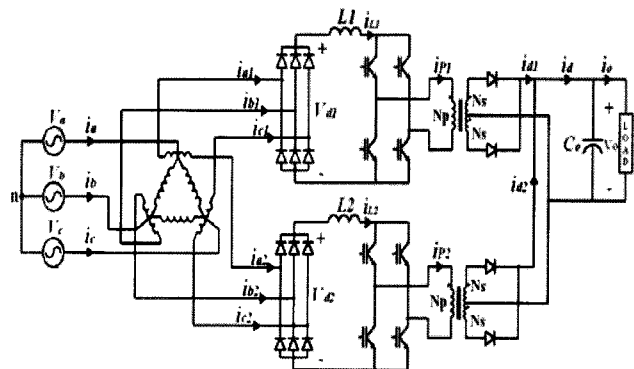


Fig. 1 Proposed telecom rectifier system

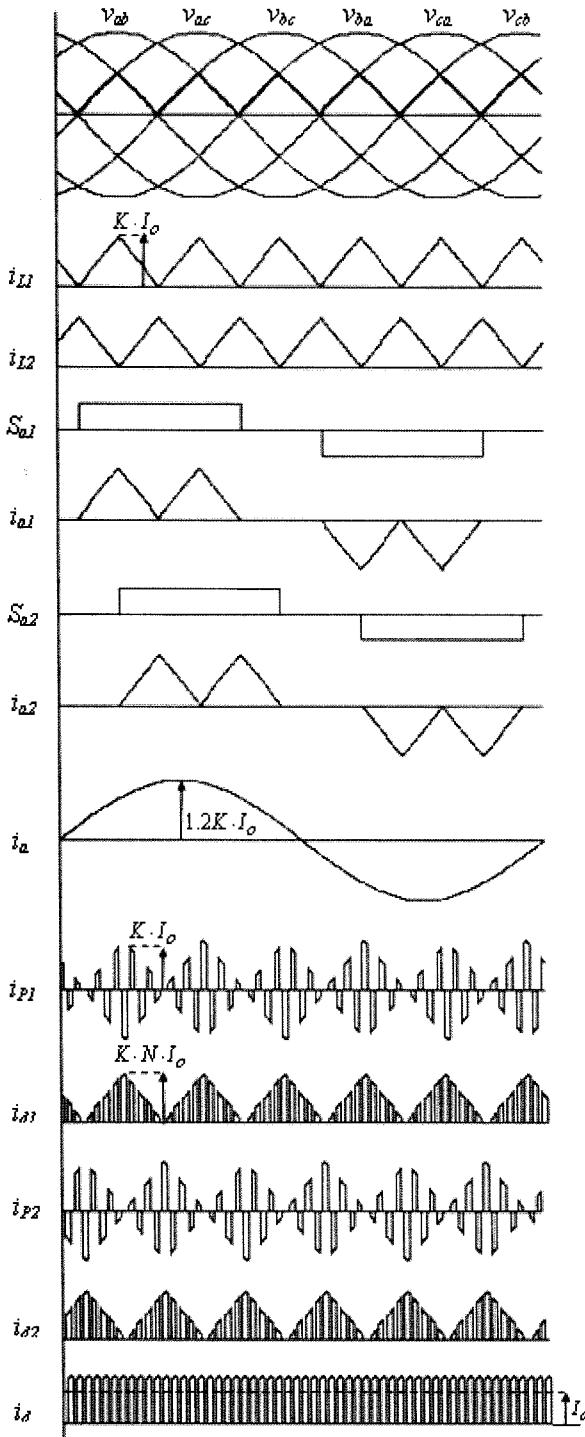


Fig. 2 Various waveforms of the proposed scheme

Here, $K = \frac{I_{L,pk}}{I_o}$ is a scale factor which can be determined by the ratio between the input line-to-line voltage V_{LL} and output dc voltage V_o . The desired wave

shape of the inductor current is a portion of the line-to-line voltages, shown as a thick line in Fig. 2. Each current source full bridge converter is operated in CCM to shape its input inductor current as given in equations (4) and (5). Modulating the inductor current as such results in sinusoidal input currents at unity power factor as shown in Fig. 2.

In the mean time the primary current of the high frequency transformer is determined by the switching function of the full bridge converter as,

$$i_{p1}(t) = S_1(t) \cdot i_{L1}(t) \tag{6}$$

$$i_{p2}(t) = S_2(t) \cdot i_{L2}(t)$$

Then the capacitor input current can be expressed as,

$$i_d(t) = i_{d1}(t) + i_{d2}(t) \tag{7}$$

$$= \frac{N_p}{N_s} \cdot (|i_{p1}(t)| + |i_{p2}(t)|)$$

As we can see from Fig. 2 the large low order (6) harmonic in the two diode currents add up and do not appear in current i_d . Therefore the filter output capacitance is greatly reduced.

The method of generating reference signals for inductor currents is shown in Fig. 3. The normalized wave shape references, $i_{L1,N}$ and $i_{L2,N}$ are stored in the look-up table and is synchronized with a line-to-line voltage by means of zero-cross detecting and phase locked loop circuits. The magnitude references for inductor currents are also obtained by a signal from output voltage regulation.

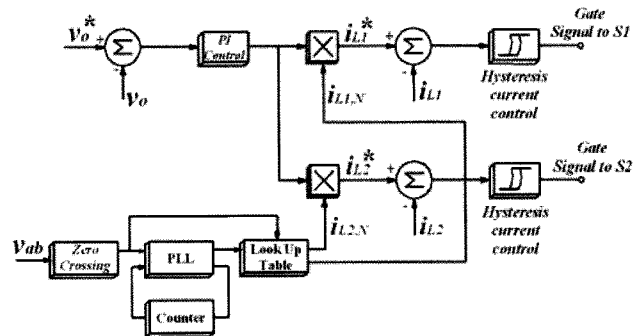


Fig. 3 Control block diagram

The input and output relationship on average values of the propose rectifier system are given as,

$$\frac{V_o}{V_{d,av}} = \frac{1}{2} \cdot \frac{N_s}{(1-D)N_p} = \frac{2I_{L,av}}{I_o} \tag{8}$$

where the operating range of the duty ratio is $0.5 < D < 1$.

The average rectifier output voltage $V_{d,av}$ becomes [5],

$$V_{d,av} = 1.035 \times 1.35 \times V_{LL} \tag{9}$$

From equation (8) and (9) the turn ratio of the high frequency transformer can be determined by,

$$N = \frac{N_p}{N_s} > 1.397 \cdot \frac{V_{LL}}{V_o} \tag{10}$$

Also, the average value of the inductor current becomes,

$$I_{L,av} = 0.55 \cdot I_{L,pk} \tag{11}$$

From equations (8) and (11), the scale factor K can be obtained by,

$$K = 0.65 \cdot \frac{V_o}{V_{LL}} \tag{12}$$

B. Design Example

As a design example for the proposed diode rectifier system the following parameters are assumed:

$$P_o = 12kW; V_{LL} = 220V; V_o = 48V$$

The output current I_o is given by,

$$I_o = \frac{P_o}{V_o} = 250A \tag{13}$$

Then, by letting the nominal duty ratio be $D = 0.6$ the turns ratio can be calculated by equations (8) - (10),

$$N_p : N_s = 8 : \tag{14}$$

Table 1 summarizes the expression for voltage and current ratings of the transformers and switching devices.

The current ratings of the components in the proposed scheme depend on the duty ratio of the switch. The design values for a 12kW rectifier system shown in the design example are listed corresponding to the expressions.

Table 1 Component Rating Calculation

Component		Expression	Design Value (12kW)	
Auto-transformer	N1-winding	rms voltage	V_{LL} 220V	
		rms current	$\frac{0.081}{1-D} \cdot \frac{1}{2} \cdot \frac{N_s}{N_p} \cdot I_o$ 3.16A	
	N2-winding	rms voltage	$\frac{V_{LL}}{\sqrt{3}} \cdot \tan 15^\circ$ 34V	
		rms current	$\sqrt{\frac{2}{3}} \cdot I_{L,rms}$ 18.1A	
	$VA(\%) = \frac{\sum V_{rms} \cdot I_{rms}}{2V_o \cdot I_o} \times 100$			2.9kW (24%)
	Full-Bridge Converter Switch	peak voltage	$V_o \cdot \frac{N_p}{N_s}$ 384V	
peak current		$I_{L,pk}$ 35.45A		
rms current		$\frac{I_{L,rms}}{\sqrt{2}}$ 15.68A		
High Frequency Rectifier Diode	peak voltage	$2V_o$ 98V		
	peak current	$I_{L,pk} \cdot \frac{N_p}{N_s}$ 283.6A		
	rms current	$\frac{I_{L,rms}}{2} \cdot \frac{N_p}{N_s}$ 88.7A		
High Frequency Transformer	primary peak voltage	$V_o \cdot \frac{N_p}{N_s}$ 384V		
	primary peak current	$I_{L,pk}$ 35.45A		
	turns ratio	$N_p : N_s = 8 : 1$		

C. Comparative Evaluation of the Proposed Rectifier

In this section a comparative evaluation of the proposed scheme and several other schemes concerning efficiencies, component counts, and realization efforts etc. is given. The schemes considered for evaluation include single-switch PFCs, six-switch PWM rectifiers, three single-phase PFCs^[3], and 18-pulse rectifiers^[4].

The assumed operating conditions for evaluation are listed below.

- The utility source is ideal with a zero internal impedance.
- The components are ideal, unless specified otherwise.
- The system parameters given in equations (13)-(15) are used in the calculation of switch utilization and losses.
- The switching frequency is constant with $f_{sw} = 30\text{kHz}$.
- The maximum peak-to-peak ripple of the inductor current is 10% of its rms value.
- The intermediate dc voltages are 400V for single-switch PFCs, six-switch PWM rectifiers and three single-phase PFCs^[3], 260V for 18-pulse rectifiers, and 307V for the proposed scheme, respectively.

The calculation of switch utilization, and normalized switching and conduction losses is based on the equations obtained in the literature ^[7]. The evaluation results are listed in Table 2.

The proposed scheme employs a low kVA($0.24P_o$) polyphase autotransformer followed by diode bridges as a front-end, resulting in natural waveshaping characteristics similar to the 18-pulse rectifier. Since it does not use switches operating at high frequency in the front-end conversion stage, the use of an input filter is not necessary and the requirements for using an EMI filter are reduced. Due to continuous conduction operation in the dc-dc converter the required EMI filter size is further reduced. The 18-pulse rectifier, which also has a significantly reduced EMI filter size, may need to use a small input filter to meet the IEEE 519 harmonic standard.

The proposed scheme shows low switch utilization in the dc-dc conversion stage. The total number of switches and diodes of the proposed scheme is fairly low, and especially the number of fast recovery diodes is the lowest, resulting in lower power losses and cost.

The switching loss of the proposed scheme is approximately half of that of the 18-pulse rectifier while the conduction loss of the proposed scheme is approximat

Table 2 Comparative Evaluation of Various Rectifiers

techniques		single-switch PFC	6-switch PWM rectifier	three single-phase PFC[3]	18-pulse rectifier[4]	proposed rectifier
configuration		ac-dc-dc-dc	ac-dc-dc	ac-dc-dc-dc	ac-dc-dc	ac-dc-dc
number of switches (switch utilization)	front-end	1 (0.67)	6 (0.1)	3 (0.18)	—	—
	dc-dc	4 (0.24)	4 (0.24)	12 (0.24)	12 (0.12)	8 (0.13)
	total	5	10	15	12	8
switching losses	front-end	0.17	1	1.24	—	—
	dc-dc	1.04	1.04	1.04	2.04	1.08
	total	1.21	2.04	2.28	2.04	1.08
conduction losses	front-end	0.34	2	7.49	—	—
	dc-dc	0.23	0.23	0.23	0.18	0.34
	total	0.57	2.23	7.72	0.18	0.34
total number of diodes (number of FRD)		13 (7)	12 (12)	36 (24)	32 (14)	16 (4)
input filter or phase-shifting transformer		input filter	input filter	no	phase-shifting transformer ($0.2 P_o$)	phase-shifting transformer ($0.24 P_o$)
output filter inductor		yes	yes	yes	yes	no
sensing effort & control complexity		medium	high	high	low	medium

ly double of that of the 18-pulse rectifier. This is because the dc-dc converter employed in the proposed scheme is a current-fed type with the duty cycle ranging between 0.5 and 1 while that of the 18-pulse rectifier is a voltage type with the duty cycle ranging between 0 and 0.5.

Among the five schemes compared, the proposed scheme is shown to have the highest efficiency due to the following reasons: (1) The total power switch losses of the proposed scheme is shown to be the smallest, (2) an intermediate dc-dc conversion stage is not employed in the proposed scheme, (3) the total number of switches and diodes is relatively low.

3. Experimental Results

A laboratory prototype has been built and the experimental results are provided. The experimental waveforms for the proposed scheme are shown in Fig.4. The system parameters.

For the experiment are as follows:

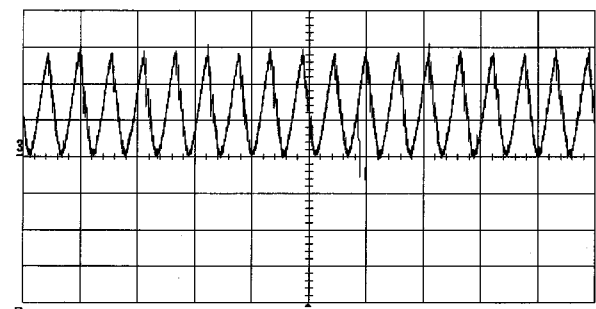
- P_o : 1.5kW
- Supply : 220V(line-to-line, RMS), 60Hz
- V_o : 48VDC
- Dc link capacitor $C_o=3300\mu F$, Inductor $L_1, L_2=5mH$

Fig. 4(a) shows the inductor current i_{L1} whose waveform is shaped by the full bridge converter. The rectifier input current i_{a1} , shown in Fig. 4(b), has 120° of discontinuous period. This results in a near sinusoidal input current, as shown in Fig. 4(c). The measured THD of the input current is 3.7%.

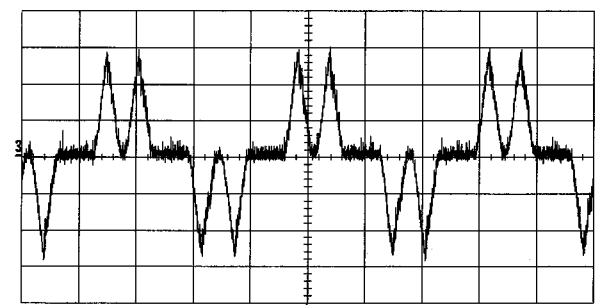
Based on these results, the experimental results agree with the analysis shown in Fig. 2. The validity of the control method is verified.

4. Conclusions

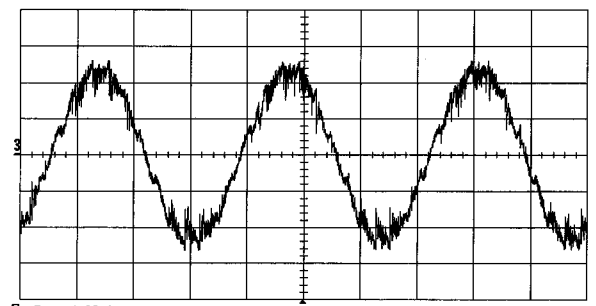
In this paper a new diode rectifier system for telecom applications is proposed to draw sinusoidal input current at unity power factor so that the proposed scheme meets with IEEE519 current distortion limits for loads with any short circuit current to loads current ratio.



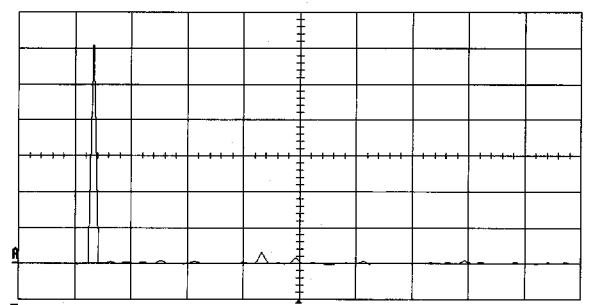
(a) Inductor current i_{L1}



(b) Rectifier input current i_{a1}



(c) Input current i_a



(d) FFT of i_a

Fig. 4 Experimental waveforms

Based on the natural wave-shaping capability of the autotransformer with low kVA rating ($0.24P_o$) the proposed active wave shaping technique significantly reduces input

and output filter requirements associated with switching ripple and EMI.

The proposed scheme is also shown to have higher efficiency because it does not employ an intermediate dc-dc conversion stage and has a relatively small number of components. The proposed scheme has a regulated and isolated output voltage at low level and therefore is suitable for telecom rectifiers. Experimental results on a 1.5kW prototype have been provided to validate the proposed concept.

References

- [1] S. Ohtsu and S. Muroyama, K. Yamamoto, "A compact, High -Efficiency and High-Power-Factor Rectifier for Telecommunications Systems", *IEEE APEC Conf.*, Vol. 2, pp. 509-513, March 1996.
- [2] M. Rastogi, R. Naik, and N. Mohan, "A Comparative Evaluation of Harmonic Reduction Techniques in Three-Phase Utility Interface of Power Electronics Loads", *IEEE Trans. on IA*, Vol. 30, No. 5, pp.1149-1155, Sep./Oct. 1994.
- [3] G. Spiazzi and F.C. Lee, "Implementation of Single-Phase Boost Power Factor Correction Circuits in Three-Phase Applications", *IEEE Trans. on Industrial Electronics*, Vol. 44, pp.365-370, June 1997.
- [4] F.J.M.,Seixas and Barbi, I. "A 12kW Three- Phase Low THD Rectifier with High-Frequency Isolation and Regulated DC Output", *IEEE Trans. on Power Electronics*, Vol. 19, pp. 371-377, March 2004.
- [5] S. Choi, P. Enjeti and I. Pitel, "Polyphase Transformer Arrangements with Reduced kVA Capacities for Harmonic Current Reduction in Rectifier-Type Utility Interface", *IEEE Trans. on PE*, Vol. 11, No. 5, pp. 680-690, Sept. 1996.
- [6] S. Choi, P. Enjeti, H. Lee and I. Pitel, "A New Active Interphase Reactor for 12-Pulse Rectifiers Provides Clean Power Utility Interface", *IEEE Trans. on Industry Applications*, Vol. 21, No. 6, Nov./Dec. 1996.
- [7] B. Singh, B.N. Singh, A. Chandra, K. Al-Haddad, A. Pandey, D.P. Kothari, "A Review of Three-phase Improved Power Quality AC-DC Converters" *IEEE Transactions on Industrial Electronics*, Vol. 51, Issue 3, pp. 641 – 660, June 2004.
- [8] Y. Nishida, J. Miniboeck, S. D. Round, J. W. Kolar, "A New 3-phase Buck-Boost Unity Power Factor Rectifier with Two Independently Controlled DC Outputs", *IEEE APEC Conf.*, pp.172-178, Feb. 2007.
- [9] P. Bozovic, P. Pejovic, "Current-Injection-Based 12-Pulse Rectifier Using a Single Three-Phase Diode Bridge", *IET Electric Power Applications*, Vol. 1, Issue 2, pp. 209 – 216, March 2007.
- [10] M. Shigeta, S. Saito, H. Mochikawa, "A Development of Novel DC 48 V Power Supply System Utilizing 18-Pulse Rectified Active DCL and Resonant Converter", *Telecommunications Energy Conference, INTELEC*, pp. 309-316, 29 Sep.-3 Oct. 2002.
- [11] L.C. Gomes de Freitas, M.G. Simoes, C.A. Canesin, L.C. de Freitas, "Programmable PFC Based Hybrid Multipulse Power Rectifier for Ultra Clean Power Application", *IEEE Transactions on Power Electronics*, Vol. 21, Issue 4, pp.959 – 966, July 2006.
- [12] K. Oguchi, T. Kubota, N. Hoshi,"Asymmetrical Nine-Phase Voltage Step-up/down Diode Rectifiers with 18-step Input Currents", *IEEE Industry Applications Conference*, Vol. 1, pp. 177-184, Oct. 2005.
- [13] J. Salmon, I. Roberge,"Performance Assessment of 18-Pulse 3-Phase Rectifiers Using Harmonic Reducing Auto-transformers", *Canadian Conference on Electrical and Computer Engineering*, pp.637 – 640, May 2005.



Se-Wan Choi received his Ph.D. degree in electrical engineering from Texas A&M University, College Station, TX, in 1995. From 1985 to 1990, he was with Daewoo Heavy Industries as a Research Engineer. From 1996 to 1997, he was a Principal Research Engineer at Samsung Electro-Mechanics Co., Korea. In 1997, he joined the Department of Control and Instrumentation Engineering, Seoul National University of Technology, Seoul, Korea, where he is currently a Professor. He is an Associate Editor of IEEE Transactions on Power Electronics and Journal of Power Electronics. His research interests include three-phase power factor correction and fuel cell power conversion technologies.



Young-Sang Bae was born in Kunsan, Korea, in 1979. He received his B.S. degree in electrical engineering from Hoseo University, Asan, Korea, in 2003 and the M.S. degree from the Department of Control and Instrumentation Engineering, Seoul National University of Technology, Seoul, Korea, in 2005. He is currently an Engineer of the Research and Development Center, KACO Solar Korea. His research interests include utility interface and power quality issues including power factor correction.