

Preparation and Properties of A Novel Y-type Nonlinear Optical Polyester with Dioxybenzylidenecyanoacetate Groups

Ga-Young Lee, Dong-Seon Won, Han-Na Jang, Hyo Jin No, and Ju-Yeon Lee*

Institute of Basic Science, Department of Chemistry, Inje University, Gimhae 621-749, Korea

*E-mail: chemlly@inje.ac.kr

Received February 17, 2009, Accepted March 20, 2009

Methyl 2,4-di-(2'-hydroxyethoxy)benzylidenecyanoacetate (**3**) was prepared and polymerized with terephthaloyl chloride to yield a novel Y-type polyester **4** containing 2,4-dioxybenzylidenecyanoacetate groups as NLO-chromophores, which constituted parts of the polymer backbone. The resulting polymer **4** is soluble in common organic solvents such as acetone and *N,N*-dimethylformamide. Polymer **4** showed thermal stability up to 280 °C in thermogravimetric analysis with glass-transition temperature obtained from differential scanning calorimetry near 108 °C. The second harmonic generation (SHG) coefficient (d_{33}) of poled polymer films at the 1064 nm fundamental wavelength was around 3.54×10^{-9} esu. The dipole alignment exhibited a thermal stability up to near T_g and no significant SHG decay was observed below 100 °C due to the partial main-chain character of polymer structure, which is acceptable for NLO device applications.

Key Words: Nonlinear optics, Polyester, AFM, Second harmonic generation, Dipole alignment

Introduction

Recently functional polymers of nonlinear optical (NLO) activity are studied extensively because of their potential applications in the field of electro-optic devices.¹⁻⁴ A potential NLO polymer has to be mechanically very strong and thermally stable with a high glass-transition temperature (T_g). In the developments of NLO polymers for electro-optic device applications, stabilization of electrically induced dipole alignment is one of important criteria; in this context, two approaches have been proposed to minimize the randomization of dipole alignment namely the use cross-linking method⁵⁻⁸ and the utilization of high T_g polymers such as polyimides.⁹ Various polyesters with NLO-chromophores in the main chain¹⁰ or in side chain¹¹ have been prepared and their properties studied. Main-chain NLO polymers generally have good thermal stability of dipole alignments, but they often do not dissolve in organic solvents, and their intractability make them unusable to fabricate stable films. Side-chain NLO polymers have the advantages such as good solubility and homogeneity relative to the main-chain systems, but they often suffer from poor stability of dipole alignments at high temperatures. Recently we have prepared novel polyesters containing dioxynitrostilbene¹²⁻¹³ or dioxybenzylidenemalononitrile¹⁴⁻¹⁵ as NLO chromophores. The resulting polymers exhibited enhanced thermal stability of second harmonic generation (SHG), which stemmed from the stabilization of dipole alignment of the NLO chromophores.

In this work we prepared a novel polyester containing 2,4-dioxybenzylidenecyanoacetate groups as NLO-chromophores. We selected the latter because they have large dipole moments and are rather easy to synthesize. Furthermore, 2,4-dioxybenzylidenecyanoacetate groups constitute novel Y-type NLO polyesters (Fig. 1c), and these Y-type NLO polyesters have not been reported in the literature. Thus, we synthesized NLO polyester, in which the pendant NLO chromophores are

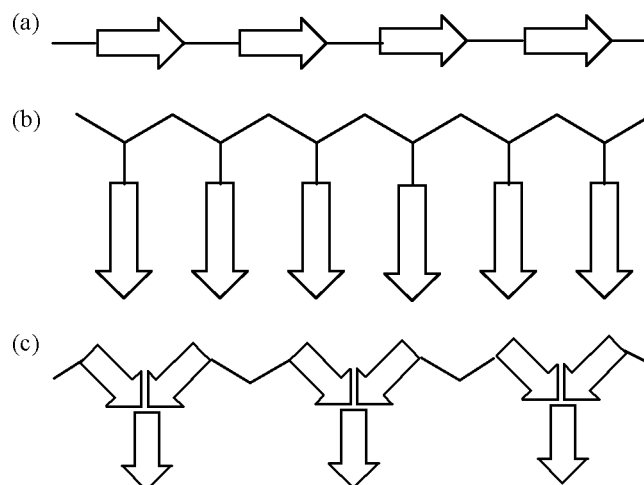
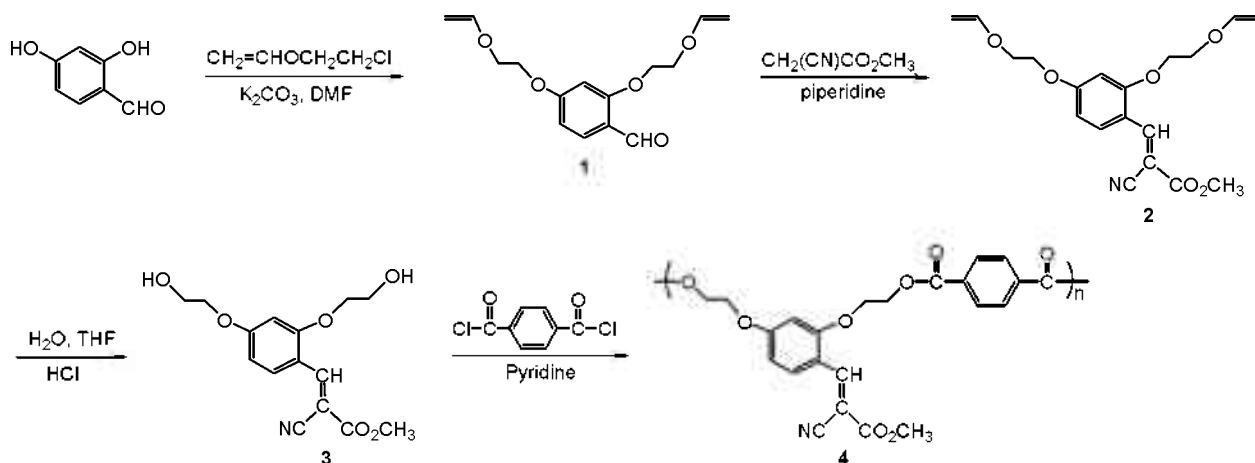


Figure 1. Schematic structures of NLO polymers with chromophores located (a) main-chain, (b) side-chain, and (c) main/side chain (Y-type).

parts of the polymer backbones. This mid-type NLO polymer is expected to have the advantages of both main-chain and side-chain NLO polymers namely stable dipole alignment and good solubility. After confirming the structure of the resulting polymer we investigated its properties such as solubility, T_g , thermal stability, SHG activity and relaxation of dipole alignment.

Results and Discussion

Synthesis of Polymer 4. 2,4-Di-(2'-vinylloxyethoxy)benzaldehyde (**1**) was prepared by the reaction of 2-chloroethyl vinyl ether with 2,4-dihydroxybenzaldehyde. Methyl 2,4-di-(2'-vinylloxyethoxy)benzylidenecyanoacetate (**2**) was prepared by the condensation reaction of **1** with methyl cyanoacetate. Compound **2** was hydrolyzed to yield compound **3**. Diol **3** was



Scheme 1. Synthetic scheme and structure of polymer 4.

condensed with terephthaloyl chloride (TPC) in a dry DMF solvent to yield polyester 4 containing 2,4-dioxybenzylidene-cyanoacetate groups as NLO-chromophores. The synthetic route for polymer 4 is presented in Scheme 1. The polymerization yield was around 91%. The chemical structure of the resulting polymer was confirmed by ^1H NMR, IR spectra, and elemental analysis. Elemental analysis results fit the polymer structures. ^1H NMR spectrum of the polymer showed a signal broadening due to polymerization, but the chemical shifts are consistent with the proposed polymer structure. The IR spectrum of the polymer sample shows a strong carbonyl peak near 1722 cm^{-1} indicating the presence of ester bond. The same polymer sample also showed a strong nitrile peak near 2220 cm^{-1} . These results are consistent with the proposed polymer structure, indicating that the NLO-chromophore remained intact during the polymerization. The molecular weight was determined by GPC using polystyrene as the standard and tetrahydrofuran (THF) as the eluent. The number average molecular weight (M_n) of the polymer 4 was 18,200 ($M_w/M_n = 1.91$). The structural feature of this polymer is that it has pendant NLO chromophores, which are parts of the polymer main chains. Thus the resulting polymer 4 is a mid type of side chain- and main-chain NLO polymer, and is expected to have both their merits. The polymer 4 is soluble in common solvents such as acetone, DMF, and DMSO, but is not soluble in methanol and diethyl ether. The inherent viscosity was around 0.30 dL/g. Polymer 4 showed strong absorption near 364 nm by the NLO-chromophore 2,4-dioxybenzylidene-cyanoacetate. We now have well defined polyester (4) and investigate its properties.

Thermal Property. The thermal behavior of the polymer was investigated by TGA and DSC to determine the thermal degradation pattern and glass transition temperature. The results are summarized in Table 1. DSC thermogram of polymer 4 is presented in Fig. 2. Polymer 4 showed a thermal stability up to $280\text{ }^\circ\text{C}$ according to its TGA thermogram. The T_g value of the polymer 4 measured by DSC was around $108\text{ }^\circ\text{C}$. This T_g value is somewhat higher than that of the polyester containing 2,4-dioxybenzylidene-malononitrile.¹⁵ The TGA and DSC studies showed that the decomposition temperature of the polyester 4 was higher than the corresponding T_g . This

Table 1. Thermal Properties of Polymer 4

Polymer	T_g^a ($^\circ\text{C}$)	Degradation temp ($^\circ\text{C}$) ^b			Residue at $800\text{ }^\circ\text{C}$ (%) ^b
		5 wt%-loss	20 wt%-loss	40 wt%-loss	
4	108	292	337	369	14.1

^aDetermined from DSC curves measured on a TA 2920 differential scanning calorimeter with a heating rate of $10\text{ }^\circ\text{C}/\text{min}$ under nitrogen atmosphere. ^bDetermined from TGA curves measured on a TA Q50 thermogravimetric analyzer with a heating rate of $10\text{ }^\circ\text{C}/\text{min}$ under nitrogen atmosphere.

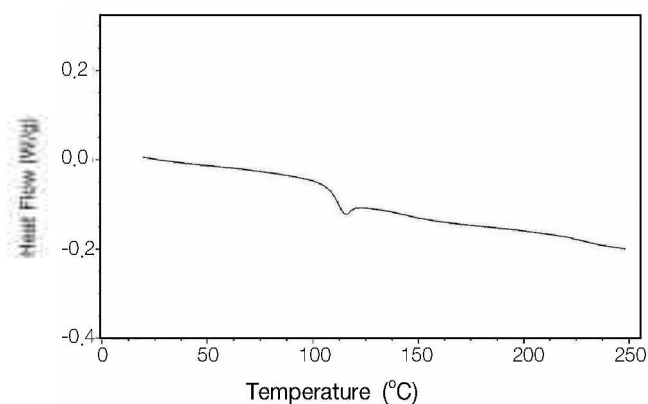


Figure 2. DSC thermogram of polymer 4 at a heating rate of $10\text{ }^\circ\text{C}/\text{min}$ under nitrogen.

indicates that high-temperature poling for a short term is feasible without damaging the NLO chromophore.

Nonlinear Optical Property. The NLO properties of polymer 4 were studied by the SHG method. To induce noncentrosymmetric polar order, the spin-coated polymer film was corona-poled. As the temperature was raised to $5\text{--}10\text{ }^\circ\text{C}$ higher than T_g , 6.5 kV of corona voltage was applied and kept at that temperature for 30 min. The poling was confirmed by UV-vis spectrum. Polymer 4 showed strong absorption near 364 nm by the NLO-chromophore 2,4-dioxybenzylidene-cyanoacetate group. After electric poling, the dipole moments of the NLO-chromophores were aligned and the UV-vis spectrum of polymer 4 exhibited a decrease in absorption due to birefringence. From the absorbance change, the order parameter

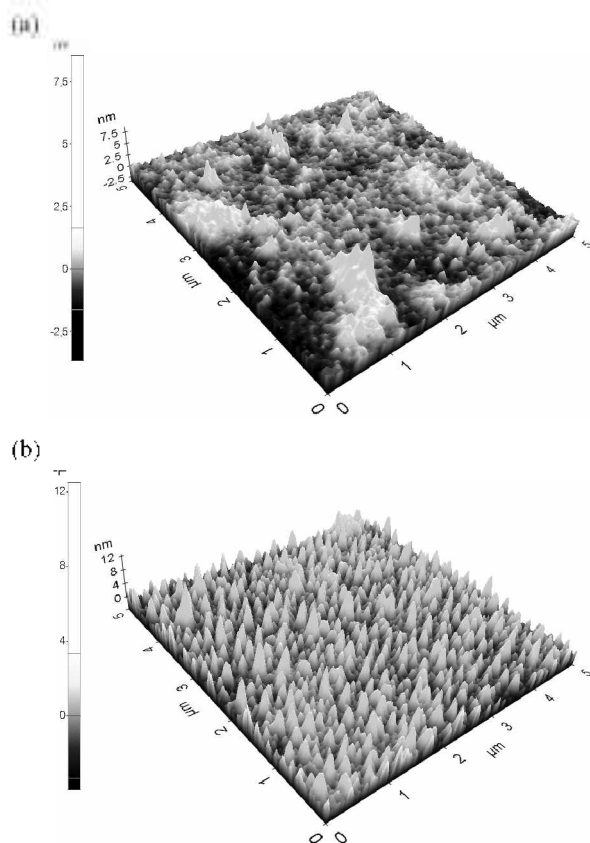


Figure 3. AFM images of spin-coated film of polymer **4**: (a) before corona-poling; (b) after corona-poling.

of the poled film could be estimated, which is related to the poling efficiency. The estimated order parameter value Φ was equal to 0.13 for polymer **4** ($\Phi = 1 - A_1/A_0$, where $A_0 = 1.2612$ and $A_1 = 1.1001$ are the absorbances of the polymer film before and after poling, respectively). For the purpose of investigating surface morphology of polymer film, domain structures of NLO-chromophores for the thin-film sample were obtained using atomic force microscopy (AFM). Fig. 3 shows AFM scans of the spin-coated film before and after poling polymer **4**. AFM images show that the surface of the film sample is extremely flat and clean before poling (see Fig. 3a). However, this good quality film was dramatically changed after poling, resulting in numerous hills and valleys in the surface structure, which means that the NLO-chromophores are aligned the poling direction as shown in Fig. 3b.

The refractive index of the sample was measured by the optical transmission technique.¹⁶ The transmittance of thin film includes information on the thickness, refractive index and its extinction coefficient. Thus, we can determine those parameters by analyzing the transmittance. SHG measurements were performed at a fundamental wavelength of 1064 nm using a mode locked Nd-YAG laser. In order to determine the microscopic second-order susceptibility of the polymer, the angular SHG dependence was recorded. Fig. 4 shows the angular dependence of SHG signal in a poled polymer **4**. The SHG values were compared with those obtained from a Y-cut quartz plate. To calculate the d_{31} and d_{33} values, both *s*-polarized and *p*-polarized IR laser were directed to the sample and

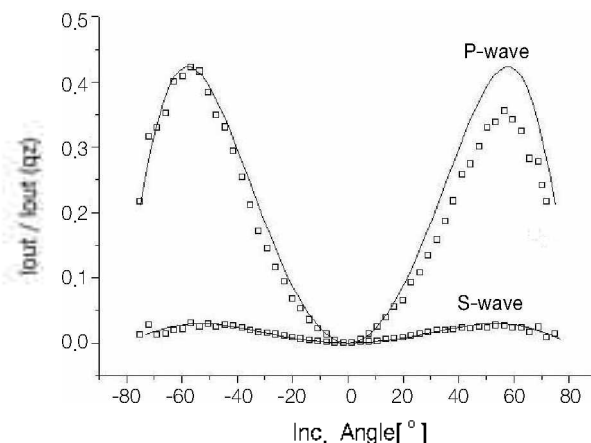


Figure 4. Angular dependence of SHG signal in a poled film of polymer **4**.

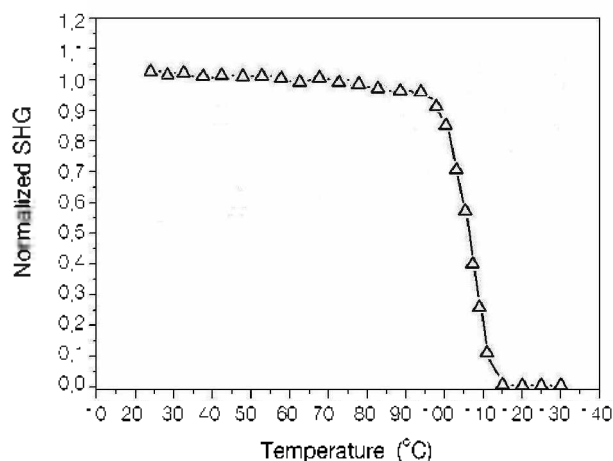


Figure 5. Normalized SHG signal of polymer **4** as a function of temperature at a heating rate of 3.5 °C/min.

Table 2. Nonlinear Optical Properties of Polymer **4**

Polymer	λ_{max}^a (nm)	d_{33}^b (esu)	Φ	film thickness ^d (μm)	d_{31}^b (esu)	n
4	364	$(3.54 \pm 0.09) \times 10^{-9}$	0.13	0.52	$(1.26 \pm 0.06) \times 10^{-9}$	$n_1=1.60$ $n_2=1.66$

^aPolymer film after corona poling. ^bSHG coefficients (d_{33}) were derived from the analysis of measured Maker-fringes.¹⁷ ^cOrder parameter $\Phi = 1 - A_1/A_0$, where A_0 and A_1 are the absorbances of the polymer film before and after corona poling, respectively. ^dFilm thickness was determined by the optical transmission technique.¹⁶

recorded. Nonlinear optical properties of polymer **4** are summarized in Table 2. SHG coefficients (d_{33}) were derived from the analysis of measured Maker-fringes with the Pascal fitting program according to the literature procedure.¹⁷ The values of d_{31} and d_{33} for polymer **4** were 1.26×10^{-9} esu and 3.54×10^{-9} esu, respectively. These values are somewhat smaller than those for the polyester containing 2,4-dioxybenzylidenemalononitrile group,¹⁵ probably because of the weaker electron-attracting tendency of carboxylate than cyano

group. Since the second harmonic wavelength was at 532 nm, which is not in the absorptive region of the resulting polymer, there was not resonant contribution to this d_{33} value.

To evaluate the high-temperature stability of the polymers, we studied the temporal stability of the SHG signal. In Fig. 5, we present the dynamic thermal stability study of the NLO activity of the film **4**. To investigate the real time NLO decay of the SHG signal of the poled polymer film as a function of temperature, in situ SHG measurements were performed at a heating rate of 3.5 °C/min from 30 to 150 °C. The polymer film exhibited a thermal stability up to near T_g and no significant SHG decay was observed below 100 °C, as shown in Fig. 5. In general, side-chain NLO polymers lose thermal stability of dipole alignment below T_g . Stabilization of dipole alignment is a characteristic of main chain NLO polymers. The high thermal stability of polymer **4** was due to the stabilization of dipole alignment of NLO chromophore, which stemmed from the partial main chain character of the polymer structure. Thus, we obtained a new type of NLO polyester having the advantages of both main-chain and side-chain NLO polymers: stabilization of dipole alignment and good solubility.

Conclusions

We synthesized a novel Y-type polyester **4** with pendant NLO chromophores, which are parts of the polymer main chains. This mid-type NLO polyester is soluble in common organic solvents. The resulting polymer **4** showed a thermal stability up to 280 °C from TGA thermogram with T_g value near 108 °C. The SHG coefficient (d_{33}) of corona-poled polymer film was 3.54×10^{-9} esu. The striking feature of this polymer is that it exhibit SHG stability up to near T_g and no significant SHG decay was observed below 100 °C. This high thermal stability of optical nonlinearity stemmed from the stabilization of dipole alignment of the NLO-chromophore, which constituted a part of the polymer backbone. We are now in the process of extending the polymerization system to the synthesis of other type of NLO polymers and the results will be reported elsewhere.

Experimental Section

Materials. The reagent grade chemicals were purchased from Aldrich and purified by either distillation or recrystallization before use. 2,4-Dihydroxybenzaldehyde and 2-chloroethyl vinyl ether were used as received. Terephthaloyl chloride (TPC) was purified by sublimation under vacuum. Methyl cyanoacetate was distilled under reduced pressure. Piperidine was treated with potassium hydroxide and then distilled over barium oxide to remove trace amounts of water. DMF was purified by drying with anhydrous calcium sulfate, followed by distillation under reduced pressure.

Measurements. IR spectra were taken on a Shimadzu FT IR-8201PC infrared spectrophotometer. ^1H NMR spectra were obtained on a Varian 300 MHz NMR spectrometer. UV-Vis absorption spectra were measured on a Shimadzu UV-3100S spectrophotometer. Elemental analyses were performed using a Perkin-Elmer 2400 CHN elemental analyzer. T_g was mea-

sured on a TA 2920 differential scanning calorimeter in a nitrogen atmosphere. TA Q50 thermogravimetric analyzer with a heating rate of 10 °C/min up to 800 °C was used for the thermal degradation pattern of polymer under nitrogen. The number average molecular weight (M_n) and weight average molecular weight (M_w) of the polymer were estimated by gel permeation chromatography (GPC) (columns styragel HR5E-4E; solvent THF). Melting points were measured with a Buchi 530 melting point apparatus and are corrected. Viscosity values were obtained by using a Cannon-Fenske viscometer.

Film Preparation and SHG Measurement. The polymer film was prepared from a 10 wt% polymer solution in DMF deposited on an indium-tin oxide (ITO) covered glass. Prior to film casting, the polymer solution was filtered through 0.45 μm Teflon[®] membrane filter. The film was spin cast at room temperature in the range 1000-1200 rpm. The films were dried for 12 h under vacuum at 60 °C. The alignment of the NLO-chromophore of the polymers was carried out by corona poling method. The poling was performed in a wire-to-plane geometry under in situ conditions. The discharging wire to plane distance was 10 mm. As the temperature was raised gradually to 5-10 °C higher than T_g , 6.5 kV of corona voltage was applied and kept that temperature for 30 min. The films were cooled to room temperature in the presence of the electric field. Finally, the electric field was removed. The refractive index of the sample was measured by the optical transmission technique.¹⁶ SHG measurement was carried out one day after poling. A continuum PY61 mode-locked Nd:YAG laser ($\lambda = 1064$ nm) with pulse width of 40 ps and repetition rate of 10 Hz was used as the fundamental light source and Y-cut quartz was used as reference. A beam splitter and a photodiode were used to compensate for the intensity fluctuations of the fundamental beam (1064 nm). The polarity of the fundamental laser beam was adjusted using a half-wave plate before it hit the sample. The electric field vector of the incident beam was either parallel (*p*-polarization) or perpendicular (*s*-polarization) to the plane of incidence. Only the *p*-polarized SH beam was made to enter a photomultiplier tube (PMT) by using a prism and a SH pass filter. An analyzer was used to confirm the polarization direction of the SH signal. A poled polymer film was mounted on the rotator coupled to a step motor. The output signals from the photodiode and PMT were detected as a function of the incident angle. A 3-mm-thick Y-cut quartz crystal (a piece of quartz plate whose plane is perpendicular to the crystalline *y*-axis and the thickness of the plate is 3 mm, and $d_{11} = 0.3$ pm/V) was used as a reference for determining the relative intensities of the SH signals generated from the samples. The Maker Fringe pattern was obtained by measuring the SHG signal at 0.5° intervals using a rotation stage. SHG coefficients (d_{33}) were derived from the analysis of measured Maker-fringes.¹⁷

2,4-(2'-Vinylloxyethoxy)benzaldehyde (1). 2,4-Dihydroxybenzaldehyde (13.8 g, 0.10 mol), anhydrous potassium carbonate (82.9 g, 0.60 mol) and 2-iodoethyl vinyl ether (49.5 g, 0.25 mol) were dissolved in 400 mL of dry DMF under nitrogen. The mixture was refluxed in an oil bath kept at 80 °C for 15 hr under nitrogen. The resulting solution was cooled to room temperature, diluted with 300 mL of water, and extracted

with 300 mL of diethyl ether three times. The organic layer was washed with saturated aqueous sodium chloride solution, and dried with anhydrous magnesium sulfate. Rotary evaporation of diethyl ether gave crude product, which was recrystallized from 1-butanol yielded 25.0 g (yield 90%) of pure product **1**. M.p. 68-69 °C. ¹H NMR (acetone-*d*₆) δ 4.03-4.35 (m, 12H, 2 CH₂=, 2 -O-CH₂-CH₂-O-), 6.50-6.62 (m, 4H, 2 =CH-O-, aromatic), 7.82-7.86 (d, 1H, aromatic), 10.35 (s, 1H, -CHO). IR (KBr) 3100, 3082 (w, =C-H), 2954, 2875 (m, C-H), 1674 (vs. C=O), 1615 (vs. C=C), 1575 (s, C=C) cm⁻¹.

Methyl 2,4-Di-(2'-vinylxyethoxy)benzylidenecyanoacetate (2). Piperidine (0.13 g, 1.5 mmol) was added to a solution of 2,4-di-(2'-vinylxyethoxy)benzaldehyde **1** (8.35 g, 30 mmol) and methyl cyanoacetate (3.27 g, 33 mmol) in 200 mL of *n*-butanol with stirring at 0 °C under nitrogen. After stirring for 3 h at 0 °C, the reaction mixture was cooled to -10 °C for crystallization. The product was filtered and washed successively with cold *n*-butanol (80 mL), water (30 mL), and cold *n*-butanol (20 mL). The obtained pale yellow product was recrystallized from 1-butanol to give 9.49 g (88% yield) of **2**. M.p. 96-97 °C. ¹H NMR (CDCl₃) δ 3.89 (s, 3H, -CO₂CH₃), 4.02-4.34 (m, 12H, 2 CH₂=, 2 -O-CH₂-CH₂-O-), 6.46-6.65 (m, 4H, 2 =CH-O-, aromatic), 8.36-8.42 (d, 1H, aromatic), 8.70 (s, 1H, aromatic). IR (KBr) 3044 (w, =C-H), 2954, 2943 (m, C-H), 2222 (s, CN), 1705 (vs. C=O), 1622, 1611, 1594, 1583 (vs. C=C) cm⁻¹. Anal. Calcd for C₁₉H₂₁NO₆: C, 63.50; H, 5.89; N, 3.90. Found: C, 63.62; H, 5.82; N, 3.83.

2,4-Di-(2'-hydroxyethoxy)benzylidenecyanoacetate (3). Aqueous hydrochloric acid (1.5 M, 30 mL) was slowly added to a solution of methyl 2,4-di-(2'-vinylxyethoxy)benzylidenecyanoacetate (**2**) (9.34 g, 0.026 mol) in 60 mL of dry THF with stirring under nitrogen at 0 °C. The mixture was stirred at 80 °C for 8 h under nitrogen. The resulting solution was extracted with diethyl ether (80 mL) three times. The organic layer was washed successively with saturated sodium chloride, sodium hydrogen carbonate, and water, followed by drying with anhydrous magnesium sulfate. Rotary evaporation of diethyl ether gave crude product. The obtained pale yellow product was recrystallized from ethyl acetate to give 6.87 g (86% yield) of **3**. M.p. 168-170 °C. ¹H NMR (CDCl₃) δ 2.78-2.85 (m, 2H, -OH), 3.84-3.89 (s, 3H, CO₂CH₃), 3.90-3.98 (m, 2H, -CH₂-OH), 4.16-4.28 (m, 2H, -O-CH₂-), 6.72-6.76 (m, 2H, aromatic), 8.32-8.36 (d, 1H, aromatic), 8.70-8.72 (d, 1H, -Ph-CH=). IR (KBr) 3514, 3435 (s, O-H), 3044 (w, =C-H), 2955 (m, C-H), 2216 (m, CN), 1709 (vs. C=O), 1612, 1578 (vs. C=C) cm⁻¹. Anal. Calcd for C₁₅H₁₇NO₆: C, 58.63; H, 5.57; N, 4.56. Found: C, 58.76; H, 5.63; N, 4.65.

Synthesis of Polyester 4. A representative polycondensation procedure was as follows: Terephthaloyl chloride (2.03 g, 0.01 mol) and diol **3** (3.07 g, 0.01 mol) were dissolved in 30

mL of anhydrous pyridine under nitrogen. The resulting solution was refluxed in an oil bath kept at 80 °C under a nitrogen atmosphere. After heating 10 h with stirring the resulting polymerization solution was poured into 400 mL of methanol. The precipitated polymer was collected and reprecipitated from DMSO into methanol. The polymer was further purified by extraction in a Soxhlet extractor with diethyl ether and dried under vacuum, yielding 3.98 g (91% yield) of polymer **4**. Inherent viscosity (η_{inh}) = 0.30 dL g⁻¹ (c = 0.5 g dL⁻¹ in DMSO at 25 °C). ¹H NMR (DMSO-*d*₆) δ 3.65-3.73 (s, 3H, -COOCH₃), 4.55 (s, 4H, 2 -PhOCH₂-), 4.68 (s, 4H, 2 COO-CH₂-), 6.75-6.95 (m, 2H, aromatic), 8.05 (s, 4H, aromatic), 8.18 (d, 1H, aromatic), 8.54 (s, 1H, aromatic). IR (KBr) 2955 (m, C-H), 2220 (s, CN), 1722 (vs. C=O), 1586 (s, C=C) cm⁻¹. Anal. Calcd for (C₂₃H₁₉NO₃)_n: C, 63.16; H, 4.37; N, 3.20. Found: C, 63.24; H, 4.43; N, 3.17.

Acknowledgments. This work was supported by Korea Research Foundation Grant funded by the Korean Government (KRF-2007-313-C00498).

References

1. Cho, M. J.; Kim, J. Y.; Kim, J. H.; Lee, S. H.; Dalton, L. R.; Choi, D. H. *Bull. Korean Chem. Soc.* **2005**, *26*, 77.
2. Lee, C.; Park, S.-K.; Yang, M.; Lee, N.-S.; Kim, N. J. *Bull. Korean Chem. Soc.* **2007**, *28*, 447.
3. Kim, T.-D.; Kang, J.-W.; Luo, J.; Jang, S.-H.; Ka, J.-W.; Tucker, N.; Benedict, J. B.; Dalton, L. R.; Gray, T.; Overmey, R. M.; Park, D. H.; Herman, W. N.; Jen, A. K.-Y. *J. Am. Chem. Soc.* **2007**, *129*, 488.
4. Yoon, Z. S.; Easwaramoorthi, S.; Kim, D. *Bull. Korean Chem. Soc.* **2008**, *29*, 197.
5. Han, K. S.; Park, S. K.; Shim, S. Y.; Jahng, W. S.; Kim, N. J. *Bull. Korean Chem. Soc.* **1998**, *19*, 1165.
6. Han, K. S.; Park, S. K.; Shim, S. Y.; Lee, Y. S.; Jahng, W. S.; Kim, N. J. *Bull. Korean Chem. Soc.* **1998**, *19*, 1168.
7. Cho, B. R.; Kim, Y. H.; Son, K. W.; Khalil, C.; Kim, Y. H.; Jeon, S.-J. *Bull. Korean Chem. Soc.* **2002**, *23*, 1253.
8. Moon, J. R.; Kim, B. S.; Kim, J.-H. *Bull. Korean Chem. Soc.* **2006**, *27*, 981.
9. Kim, M. H.; Jin, J.-I.; Lee, C. J.; Kim, N. J.; Park, C. H. *Bull. Korean Chem. Soc.* **2002**, *23*, 964.
10. Lee, J.-H.; Lee, K.-S. *Bull. Korean Chem. Soc.* **2000**, *21*, 847.
11. Lee, S.-H.; Kim, Y.-K.; Won, Y.-H. *Macromolecules* **1999**, *32*, 342.
12. Lee, J.-Y.; Jung, W.-T.; Lee, W.-J. *Polym. Int.* **2006**, *55*, 248.
13. Lee, J.-Y.; Kim, J.-H.; Jung, W.-T. *Bull. Korean Chem. Soc.* **2007**, *28*, 329.
14. Lee, J.-Y.; Kim, J.-H.; Won, D.-S.; Jang, H.-N. *Bull. Korean Chem. Soc.* **2007**, *28*, 1433.
15. Jang, H.-N.; Lee, J.-Y. *Bull. Korean Chem. Soc.* **2008**, *29*, 933.
16. Cisneros, J. I. *Appl. Opt.* **1998**, *37*, 5262.
17. Herman, W. N.; Hayden, L. M. *J. Opt. Soc. Am. B* **1995**, *12*, 416.