

에열용 열 교환식 촉매연소기의 연소특성에 관한 실험

유상필* · 서용석* · 송광섭* · 류인수*

The combustion characteristics of catalytic combustor with preheating heat exchanger

Yu Sang Phil, Seo Yong Suk , Song Kwang Sup , Ryu In Su

ABSTRACT

The catalytic heat exchanger was designed which employs the regenerative preheating system of combustion air. The characteristics of the catalytic heat exchanger have been experimentally studied at the various operating parameters. The results showed that the mixture velocity did not affect significantly the performance of catalytic combustor whereas the preheating temperature of combustion air affected significantly the conversion rate. The complete conversion was achieved in the catalyzed honeycomb at a preheating temperature of 370-390°C, a mixture velocity of 0.53 ~ 0.75 m/s and an equivalence ratio of 0.19 ~ 0.27. The heat exchange efficiency of the catalytic heat exchanger appeared to be about 75 % when the air of room temperature was used as a working fluid. The results showed that both the heat balance of the system and the mixture conditions determine its stable catalytic combustion.

Key Words : Heat Exchanger, Catalytic Combustion, Catalyst , Catalytic Honeycomb

1. Introduction

A catalytic combustor with the heat exchanger has been employed in the various manufacturing processes where a compact design is required (Klein and Eigenberger, 2001). The fin tubes have been widely used to augment the surface area which is a determinant factor to the increase of the heat transfer rate. Wang (2000) reviewed extensively the recent progress and performance of the fin-tube heat exchanger.

Wang et al. (2001) investigated the catalytic combustion involving strongly exothermic reaction such as LNG combustion in the tubular reactor with a fixed catalyst bed inside the tube and a cooling fluid outside. They found that a large number of tubes caused the severe pressure drop due to catalyst bed, non-uniform distribution of heat transfer across the radial direction, a multiplicity of hydrodynamic regimes, etc. Seo et al. (2000) designed the catalytic heat exchanger using catalytic fin tubes catalyzed with Pd catalyst and found the significant influence of the arrangement of the fin tubes to achieve the best performance of catalytic combustion. When the heat exchanger was enlarged to the size corresponding to 100,000 kcal/hr, the catalytic fin-tubes showed an unsatisfied performance in catalytic combustion and heat

* 한국에너지기술연구원 (KIER)

† spyu@kier.re.kr

exchange rate. Thus, they replaced the catalytic fin tubes with the catalyzed honeycombs to increase the heat exchange capacity.

In the present work, the catalytic heat exchanger was designed which employs the regenerative preheating system of combustion air. The catalytic heat exchanger is composed of a catalytic combustor and a heat exchanger. The sensitivity of operating parameters such as equivalence ratio, velocity and preheating temperature of the mixture of air-fuel was investigated to analyze the combustion characteristics in the catalytic combustor. One of the objectives in this work is to find optimal operating conditions for the stable catalytic combustion in the catalytic heat exchanger.

2. Experimental

The regenerative heat exchanger is composed of two parts: a catalytic combustor and a heat exchanger. The catalytic combustor consists of a preheating burner and catalyzed honeycombs. The heat exchanger is composed of the one for the preheating of the mixture and the other for working fluid. Fig. 1 shows the concept of the catalytic heat exchanger used in this study. The system was designed to utilize the heat generated by catalytic combustion as a heating source of the mixture fed to the catalytic combustor and to recover the remaining heat via a heat exchanger. To initiate the catalytic combustion upon the startup of operation, a pre-burner was installed at the place before the catalytic combustor. It is only used upon the startup of the system and turned off when the catalytic combustion is ignited completely.

The casing of the heat exchanger was made of SUS 304 to stand the high temperature up to 1000 °C. The ceramic fiber was used to insulate the system. The fin tubes of the heat exchanger were fabricated to the triangular-staggered type. The heat exchangers for the preheating of the mixture and the heat recovery have a surface area of 20 m² and 40 m², respectively. To prepare the catalytic honeycombs, the ceramic honeycomb (150 cells/in²) was first washcoated with TiO₂ of

high surface area. Then Pd catalysts were deposited to the washcoated honeycombs by impregnation with aqueous palladium nitrate (Pd(NO₃)₂) (19.96% Pd, Engelhard). The catalytic honeycombs were dried at 100 °C for 12 h and calcined at 550 °C for 6 h. The catalyst loading on the catalytic honeycombs was about 1.0 wt.%.

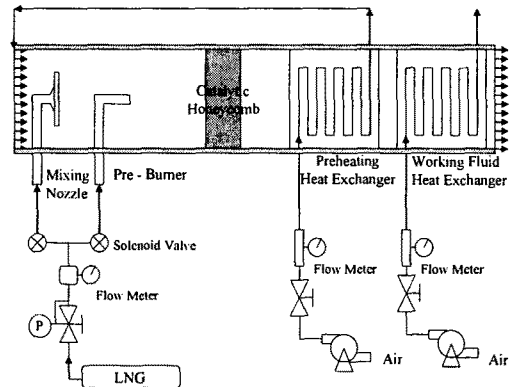


Fig. 1 Schematic diagram of the test rig for catalytic heat exchanger

The LNG (CH₄ 90.22%, C₂H₆ 6.45%, C₃H₈ 2.34%, C₄H₁₀ 0.99%) was used as a fuel and its flow rate was measured with a dry typed flowmeter. The LNG was supplied to the preheat burner and the mixture nozzle. The air were supplied to two places -the inlet of the system and the heat exchanger recovering the generated heat - by turbo-blowers of which each flowrate is 600 Nm³/hr. A diffusion type burner was used as a preheating burner. The fuel feed to the preheating burner was controlled by a remote control depending on operating situation of the catalytic heat exchanger. The mixing nozzle was designed to have the mixture of LNG-air mixed as homogeneously as possible because the mixing degree of the mixture has a critical effect on the catalytic combustion. The catalytic combustor was fabricated with the catalytic honeycombs and installed to the down stream of the pre-burner. The sight glass was installed just behind the catalytic combustor to observe the situation of the catalytic honeycomb during the operation of the system.

The experiment was conducted according to the following procedure. The combustion air is fed to the inlet of the system through the

preheating heat exchanger. LNG is supplied to the pre-burner whereas the mixing nozzle is closed. The pre-burner is ignited so that the combustion air is heated to the level that can initiate the catalytic reaction in the catalytic combustor. When the temperature of the combustion air reaches the ignition level, 350 °C, the LNG is supplied to the mixing nozzle and is mixed with the on-going combustion air. In the catalytic combustor, the mixture is heated by the catalytic reaction onto the catalytic surface. The combustion gas exiting from the catalytic combustor flows to the preheating heat exchanger, where the heat is transferred from the combustion gas to the combustion air flowing inside the fin tube. The combustion gas flows further to the downstream, where another heat exchanger is placed. The remaining heat in the combustion gas is recovered via this heat exchanger of which the working fluid is the air and the combustion gas is exhausted to the atmosphere.

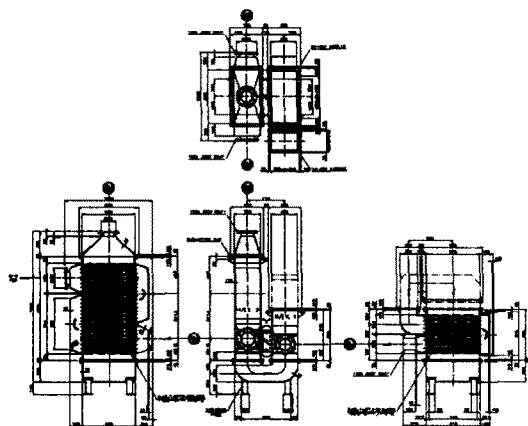


Fig. 2 Design of the regenerative catalytic heat exchanger

The temperatures of the combustion gas and the surface of the catalyst honeycomb were measured with K-type thermocouples. The combustion gas was sampled at the exit of the system and analyzed with an on-line gas analyzer. The concentration of CO₂ and CO was measured with the NDIR analyzer (Horiba, VIA 510). THC concentration was measured with FID analyzer (Horiba, FIA 510). Water in sampling gases was removed by a sample conditioner before the analysis was

performed.

3. Results and Discussion

3.1 Effects of the preheating heating temperature

The temperatures within the catalytic heat exchanger and the compositions of the combustion gas were measured. The conversion of combustion gas was calculated by the following equation

$$\text{Conversion}(\%) = \frac{CO_2}{HC + CO_2} * 100$$

(1)

The preheating temperature of the mixture was changed in the range of 300 - 420 °C at a flow rate of 408.2 m³/h and an equivalence ratio of 0.19 ~ 0.27 (see Fig. 3). The preheating temperatures of the mixture were measured at the upstream of the catalytic honeycomb. The results show that the preheating temperature affects significantly the conversion of the mixture. The conversion rate, in general, increases with the increase of the preheating temperature. Especially, the conversion rate is abruptly changed at a preheating temperature of 380 °C for all ranges of equivalence ratio. It reaches over 98 % when the preheating temperature increases to over 380 °C.

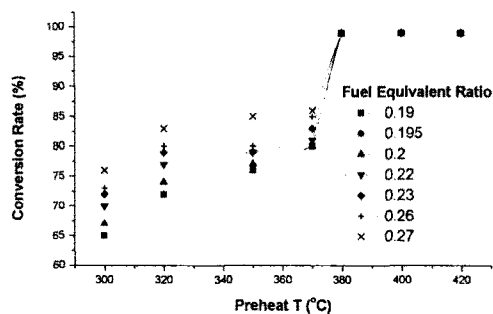


Fig. 3 The effects of the preheating temperature of the mixture gas on the conversion rate.

The results suggest that the preheating

temperature should be kept over 380 °C to obtain the nearly complete conversion of the mixture.

3.2 Effects of the mixture velocity

Seo et al. (2000) investigated the catalytic combustor using the catalytic fin tubes and found that the mixture velocity was a critical factor to design the catalytic heat exchanger. The conversion rate seems to be very sensitive to the contact time of the mixture on the catalyst surface. The effects of the mixture velocity on the conversion rate were investigated as shown in Fig. 4. The mixture velocity was changed in the range of 0.52 to 0.77 m/s at a preheating temperature of 380 °C and an equivalence ratio of 0.19 ~ 0.27. As a result, the conversion rate appears to be over 98 % in all the experimental conditions. Specifically the conversion rate is a little decreased from 99 % to 98 % when the mixture velocity is raised from 0.52 m/s to 0.77 m/s. These results verify that the mixture velocity of 0.52 - 0.77 m/s is the appropriate operating condition for the manufactured catalytic combustor.

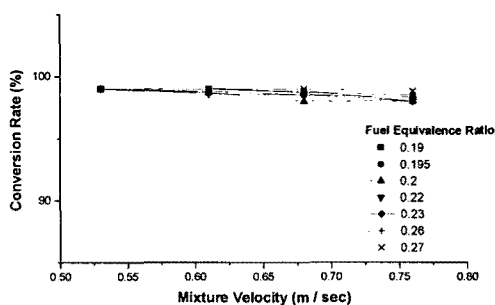


Fig. 4 The effects of the mixture velocity on the conversion rate

3.3 Effects of the equivalence ratio of the mixture

The influence of the equivalence ratio on the conversion was investigated in the range of an

equivalence ratio of 0.16 - 0.3 at a flow rate of 408.2 m³/h. Fig. 5 represents the conversion rate as a function of both the equivalence ratio and the preheating temperature. In the flame combustion of CH₄, the lean flammability limit is an equivalence ratio of 0.5. But the results show that the catalytic reaction is possible even at a very low equivalence ratio of 0.2, which is very lean compared to the lean limit of the conventional flame combustion.

As a result of the experiment, the conversion rate reaches over 98% at the high preheating temperature of over 380 °C and an equivalence ratio of 0.19 ~ 0.27. But, the unstable operation was observed when the equivalence ratio exceeds the range of 0.19 ~ 0.27. The most stable catalytic combustion was achieved at an equivalence ratio of around 0.25. This implies that the stable catalytic combustion is possible within the limited range of equivalence ratio owing to the heat balance in the full system. Both the overheating and the under-heating can be troubles encountered in the design of the catalytic heat exchanger.

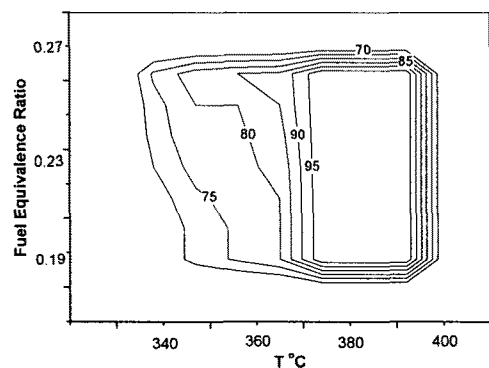


Fig. 5 The contour diagram of the conversion of the mixture as a function of equivalence ratio and preheating temperature. The number in the contour refers to the conversion rate of the mixture.

3.4 Temperature distribution of the catalytic honeycomb surface

The temperature distributions on the catalytic honeycomb surface were different depending on each ignition step of the catalytic

combustor. Fig. 6 shows the change of the temperature distributions at the inlet and outlet surface of the catalytic combustor, and the conversion rate according to the ignition process of the catalytic combustor. In the case of preheating step, the temperature at the inlet surface of the catalytic combustor appeared higher than that of the outlet surface. However, when the catalytic combustion in the catalytic combustor gets to the stable condition, the temperature at the outlet surface of the catalytic honeycomb was measured relatively higher than that of the inlet surface.

In the step to preheat the catalytic combustor, the averaged temperature at the inlet and outlet surfaces of the catalytic honeycomb was relatively higher compared to other operation steps. After the some time of preheating, the catalytic combustion is initiated and the temperature distributions at both the inlet and outlet layer of the catalytic honeycomb become more uniform. The conversion rate is steadily increased while the catalytic combustion in the catalytic combustor is becoming stable. When the catalytic combustion becomes completely stable, the conversion rate reaches about 99%. At that time, the peak temperature in the catalytic honeycomb is 50 °C higher than in the step of the preheating. The results imply that the conversion rate becomes higher as the peak temperature of the honeycomb layer gets higher.

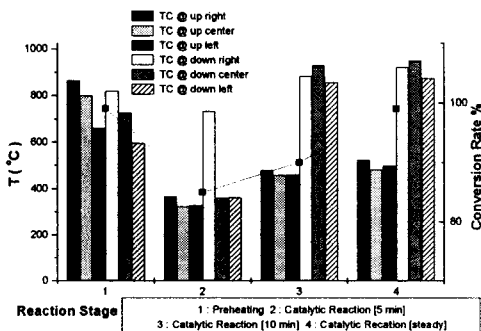


Fig. 6 The temperature distribution in the catalytic honeycomb layer and the conversion rate of the mixture at each operational sequential process.

4. Conclusions

The catalytic heat exchanger was designed which employs the regenerative preheating system of combustion air. The results showed that the mixture velocity did not affect significantly the performance of catalytic combustor whereas the preheating temperature of combustion air affected significantly the conversion rate. The complete conversion was achieved in the catalyzed honeycomb at a preheating temperature of 370-390°C, a mixture velocity of 0.53 ~ 0.75 m/s and an equivalence ratio of 0.19 ~ 0.27. The heat exchange efficiency of the catalytic heat exchanger appeared to be about 75 % when the air of room temperature was used as a working fluid. The results showed that both the heat balance of the system and the mixture conditions determine its stable catalytic combustion.

Acknowledgements

The authors thank the financial support from the Korean Ministry of Science and Technology through the NRL (National Research Laboratory) program.

References

- [1] Klein, H., Eigenberger, G., "Approximate solutions for metallic regenerative exchangers", *Int. J. Heat Mass Transfer*, 44, 3553-3563 (2001).
- [2] Sadamori, H., "Application concepts and evaluation of small scale catalytic combustors for natural gas", 3rd international workshop on catalytic combustion, Amsterdam (1996).
- [3] Saint-Just, Jacques and Kinderen, Jan der, "Catalytic combustion: from reaction mechanism to commercial application", *Catalysis Today*, 29, 387-395 (1997).

[4] Schlegel, A., Benz, P., Griffin, T., Weisenstein, W., Bockhorn, W.: "Catalytic stabilization of lean premixed combustion: Method for improving NO_x emissions", *Combustion and Flame* 105, 332-340. (1996).

[5] Seo, Y. S., Kang, S. K and Shin, H. D., "Catalytic combustion of lean premixed mixture in catalytically stabilized thermal combustion", *Combustion Science and Technology*, Vol.145, pp.17-35 (1999)

[6] Seo, Y. S., Yu, S.-P., Jeong, N.-J., Ryu, I.-S., Cho, S. J., "The catalytic heat exchanger of catalytic fins deposited with Pd catalyst" *Proceedings of 4th JSME-KSME Thermal Engineering Conference*, Kobe (2000).

[7] Trimm, D. L., "Materials selection and design of high temperature catalytic combustion units" *Catalysis Today*, 26, 231-238 (1995).

[8] Wang, C. C., "Recent progress on the airside fin-and-tube heat exchangers", *Int. J. heat Exchangers*, 1, 49-76 (2000).

[9] Wang, C.C., Lee, W.-S., Sheu, W.-J., "A comparative study of compact enhanced fin-and-tube heat exchangers", *Int. J. Heat Mass Transfer*, 44, 3565-3573 19 (2001).